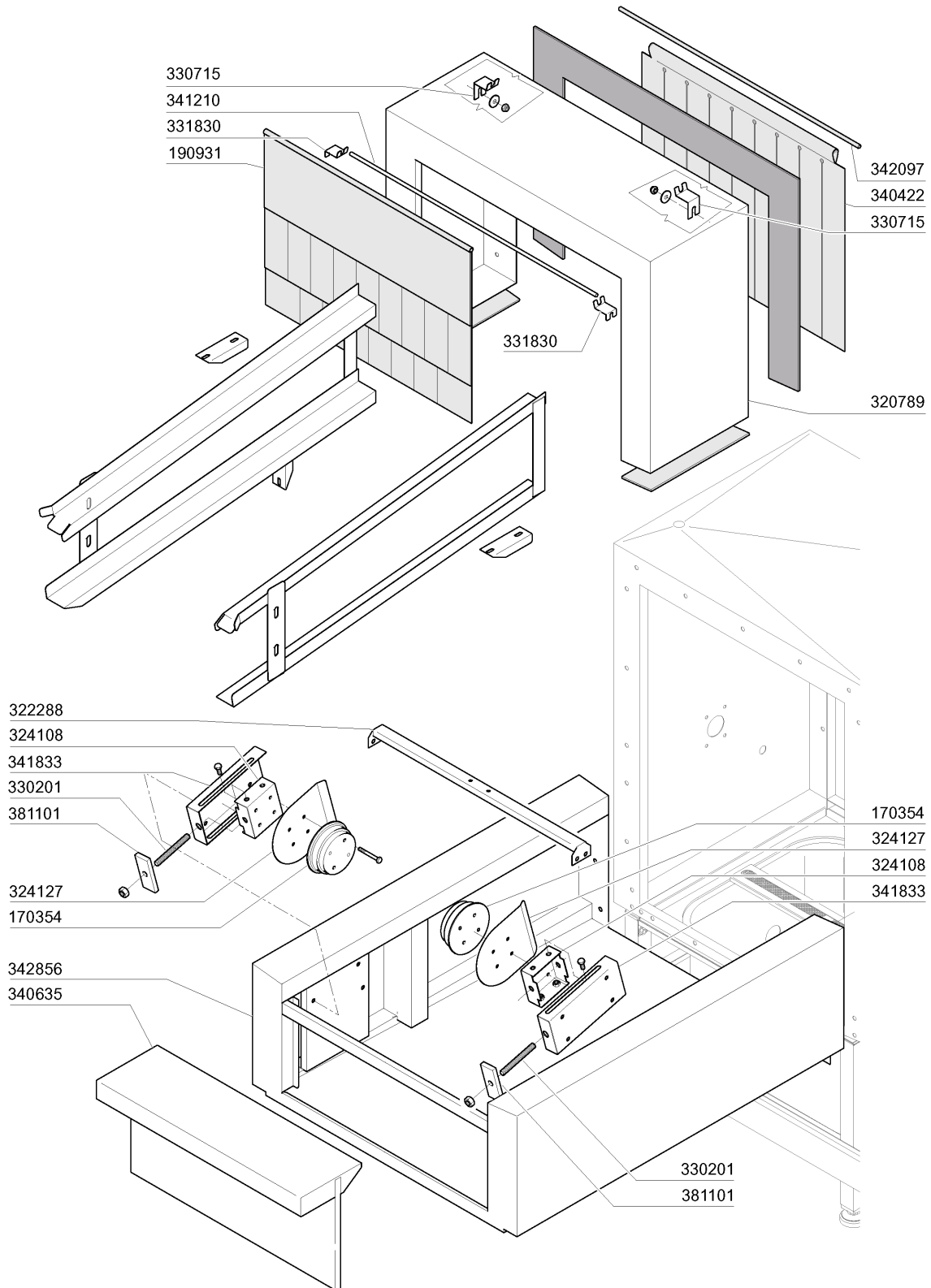


2 - Loading table 1000

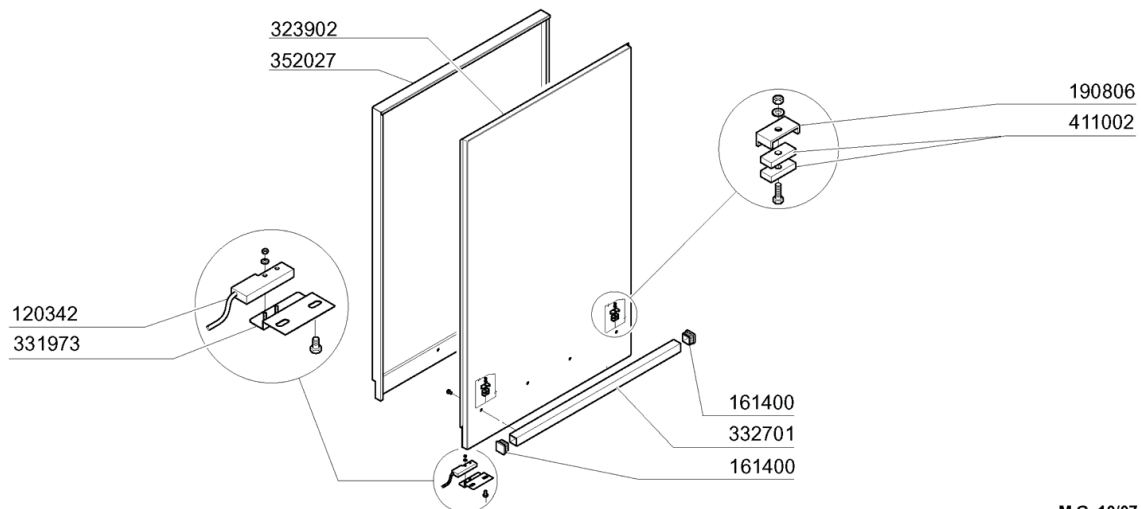
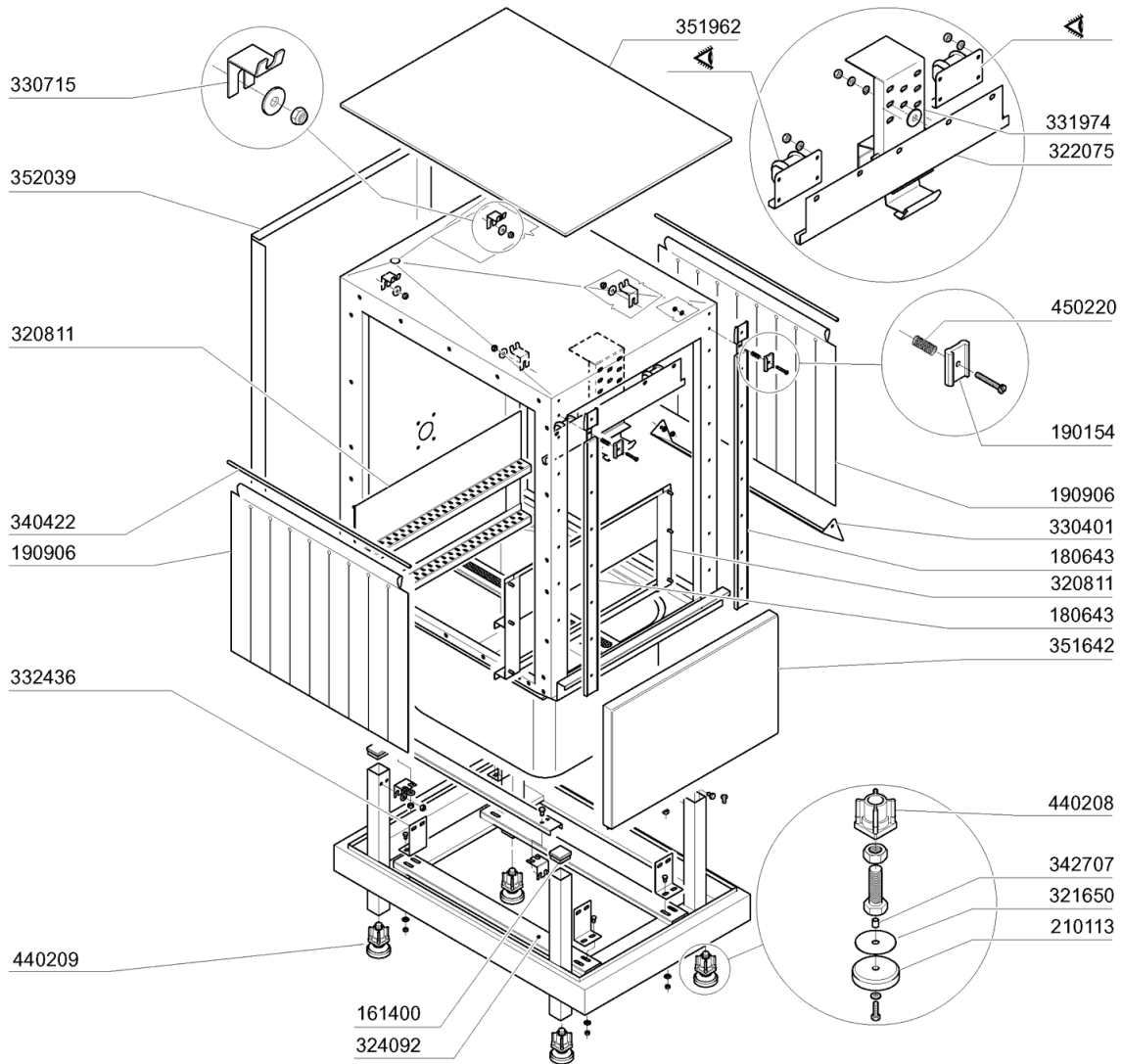


M.G. 10/07

2 - Loading table 1000

| CODE | DESCRIPTION |
|--------|------------------------------|
| 170354 | ROLLER |
| 190931 | CURTAIN OUT BTM-NE/2 |
| 320789 | HOOD |
| 322288 | SUPPORT FOR GUIDES |
| 324108 | SUPPORT |
| 324127 | PANEL |
| 330201 | ROD FOR BELT ADJUSTING "N" |
| 330715 | UPPER BRACKET CURTAIN SNL-SE |
| 331830 | BRACKET FOR CURTAIN |
| 340422 | SHAFT FOR CURTAIN AC-ACR |
| 340635 | PANEL FOR TABLE 1000 NL |
| 341210 | CURTAIN SHAFTS N 2S GM |
| 341833 | SUPPORT |
| 342097 | SHAFT |
| 342856 | INLET TABLE |
| 381101 | PLATE |

3 - Prewash Assembly 600mm

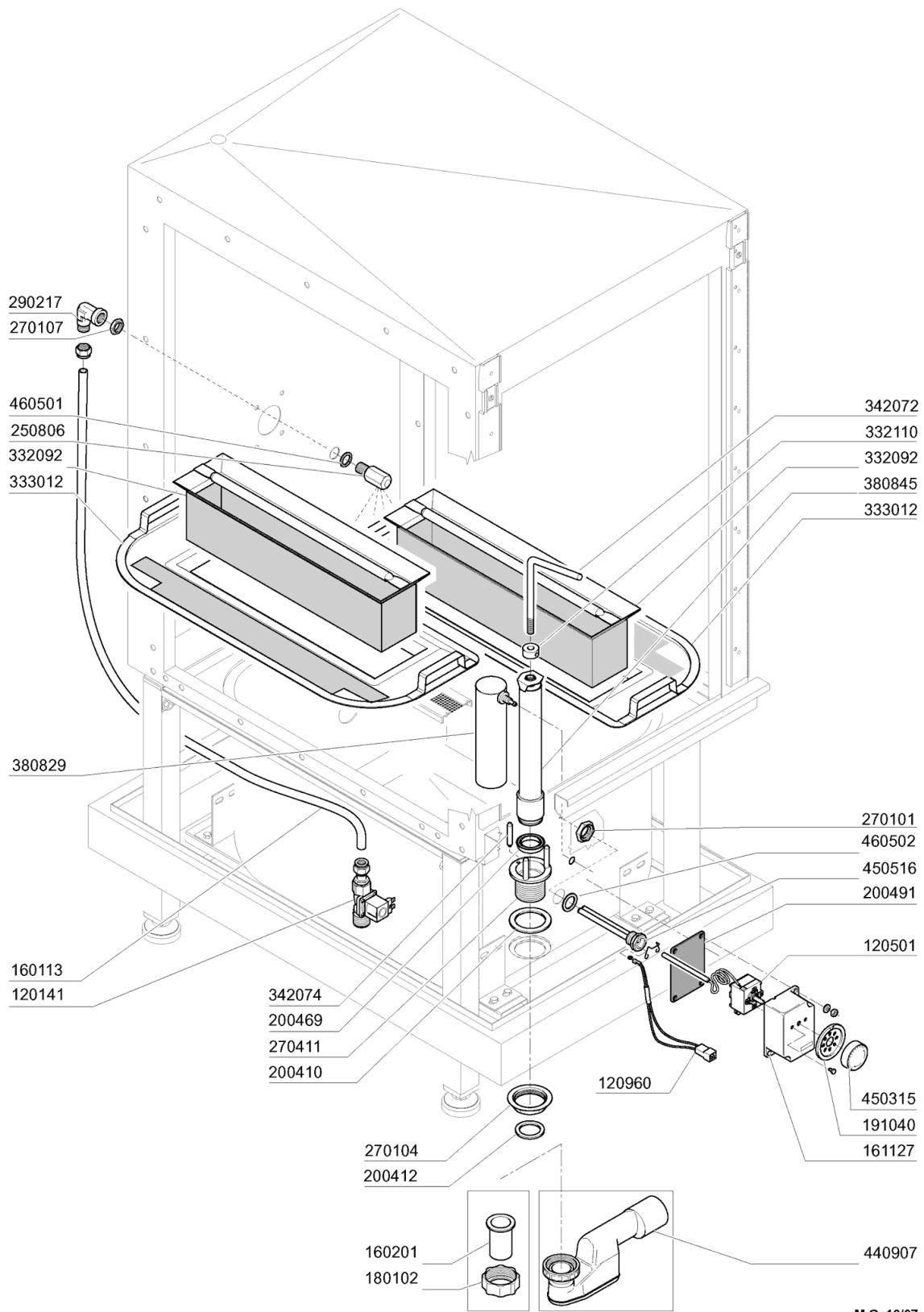


M.G. 10/07

3 - Prewash Assembly 600mm

| CODE | DESCRIPTION |
|--------|------------------------------|
| 120342 | DOR MAGNETIC SWITCH |
| 161400 | PLUG |
| 180643 | NE DOOR RAIL WITH BRAKE |
| 190154 | BRAKE |
| 190806 | MAGNET HOUSING |
| 190906 | CURTAIN IN/OUT 620X480 |
| 210113 | FOOT NE/2 |
| 320811 | PREWASH 600 NE GUIDE |
| 321650 | PLATE FOR FOOT |
| 322075 | SUPPORT |
| 323902 | INSULATED DOOR 600 NL2 |
| 324092 | SUPPORT |
| 330401 | SPARTIACQ.SEMPL.VASCA NE BTM |
| 330715 | UPPER BRACKET CURTAIN SNL-SE |
| 331973 | DOOR MICRO SWITCH BRACKET |
| 331974 | SUPPORT FOR DOOR HOOK |
| 332436 | BRACKET |
| 332701 | DOOR HANDLE 600 NL2 |
| 340422 | SHAFT FOR CURTAIN AC-ACR |
| 342707 | SPACER |
| 351642 | PANEL 600MM NE |
| 351962 | UPPER PANEL FOR HOOD 600 |
| 352027 | INSULATED PANEL 600 |
| 352039 | BACK PANEL 600 |
| 411002 | PERMANENT MAGNET 24X12 |
| 440208 | FOOT INSERT |
| 440209 | COMPLETE FOOT NE |
| 450220 | SPRING |

4 - Prewash Tank 600mm

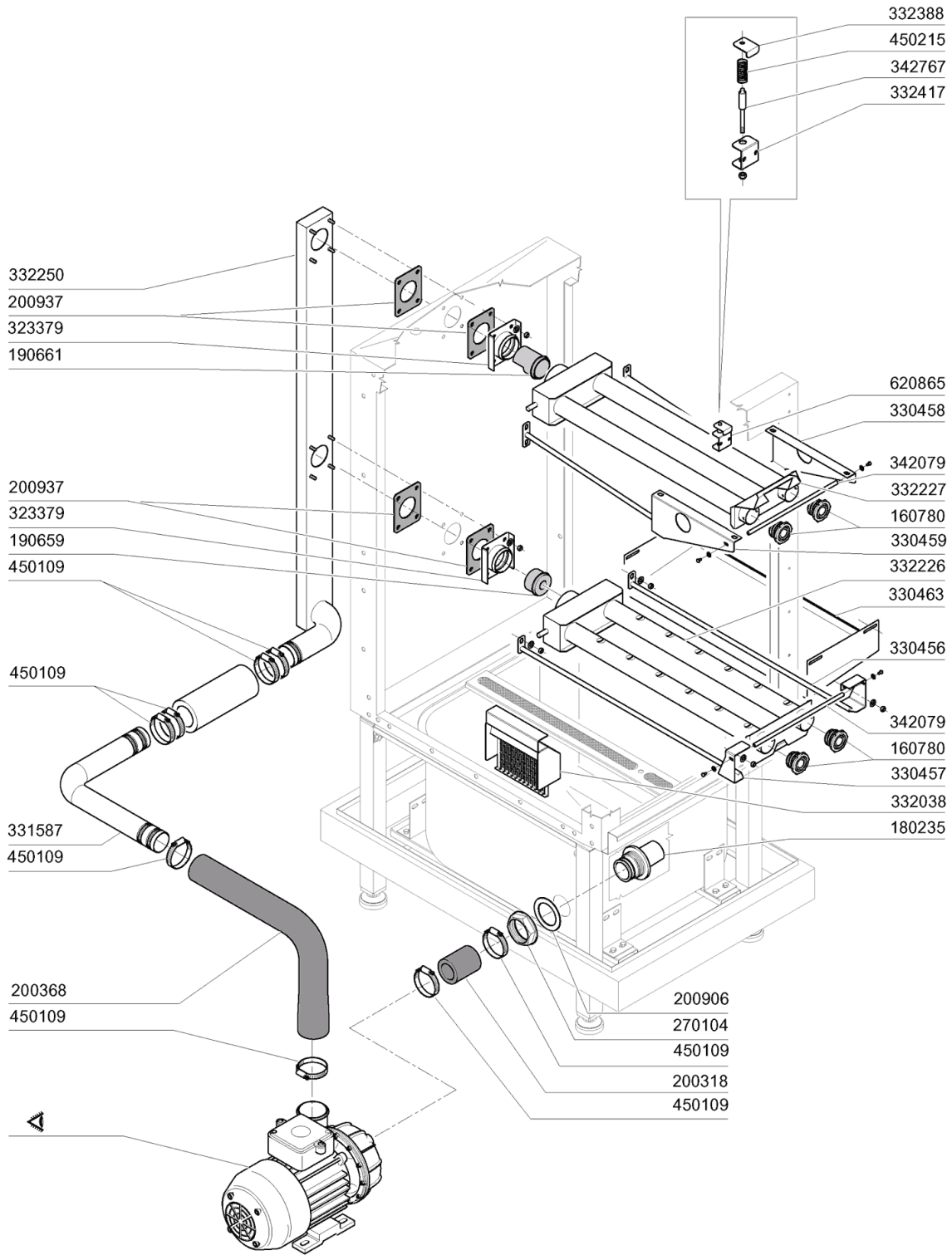


M.G. 10/07

4 - Prewash Tank 600mm

| CODE | DESCRIPTION |
|--------|---------------------------------|
| 120141 | SOLE.N.VALVE METAL.328000 D.1/2 |
| 120501 | THERMOSTAT 30/90°C |
| 120960 | PROBE C-G |
| 160113 | TUBE IN POL. RETIC. 12 EST |
| 160201 | ELBOW F.TANK INLET MOPLEN |
| 161127 | BOX FOR THERMOSTAT |
| 180102 | DRAIN PIPE NUT 1"1/2 F45-55 |
| 191040 | FRAME F.THERMOSTAT KNOB |
| 200410 | DRAIN OUTL.WASH.1 1/2"65X47X2 |
| 200412 | GASKET DRAIN 11/2" 45X33X3 |
| 200469 | STAND PIPE O RING 45X35,5X7 |
| 200491 | BACK GASKET OF THERMOSTAT BOX |
| 250806 | TANK FILL HOSE CLAMP - AC/ACR |
| 270101 | HEXAGON LOCK NUT 1/2" |
| 270104 | LOCK NUT 1" 1/2 |
| 270107 | BRASS LOCK NUT 3/8" FL803 |
| 270411 | DRAIN OUTLET F. PREWASH/ECOR. |
| 290217 | HOSE CLAMP ELBOW 12X3/8" TYPE |
| 332092 | STRAINER FOR PREWASH TANK ACS |
| 332110 | CLAMPING PIECES |
| 333012 | PREWASH FILTER NE02 |
| 342072 | PREWASH ROD NE02 |
| 342074 | PIN |
| 380829 | ST/ST AIR CHAMBER FOR NG-NE |
| 380845 | OVERFLOW PIPE PREWASH TANK NE0 |
| 440907 | SIPHON 1"1/2 |
| 450315 | KNOB F. THERMOSTAT 90° |
| 450516 | THERMOSTAT SHIELD FOR 2 TERMOS |
| 460501 | GASKET 24X17X2 |
| 460502 | GASKET 30X21X2 |

5 - Prewash Assembly 600mm

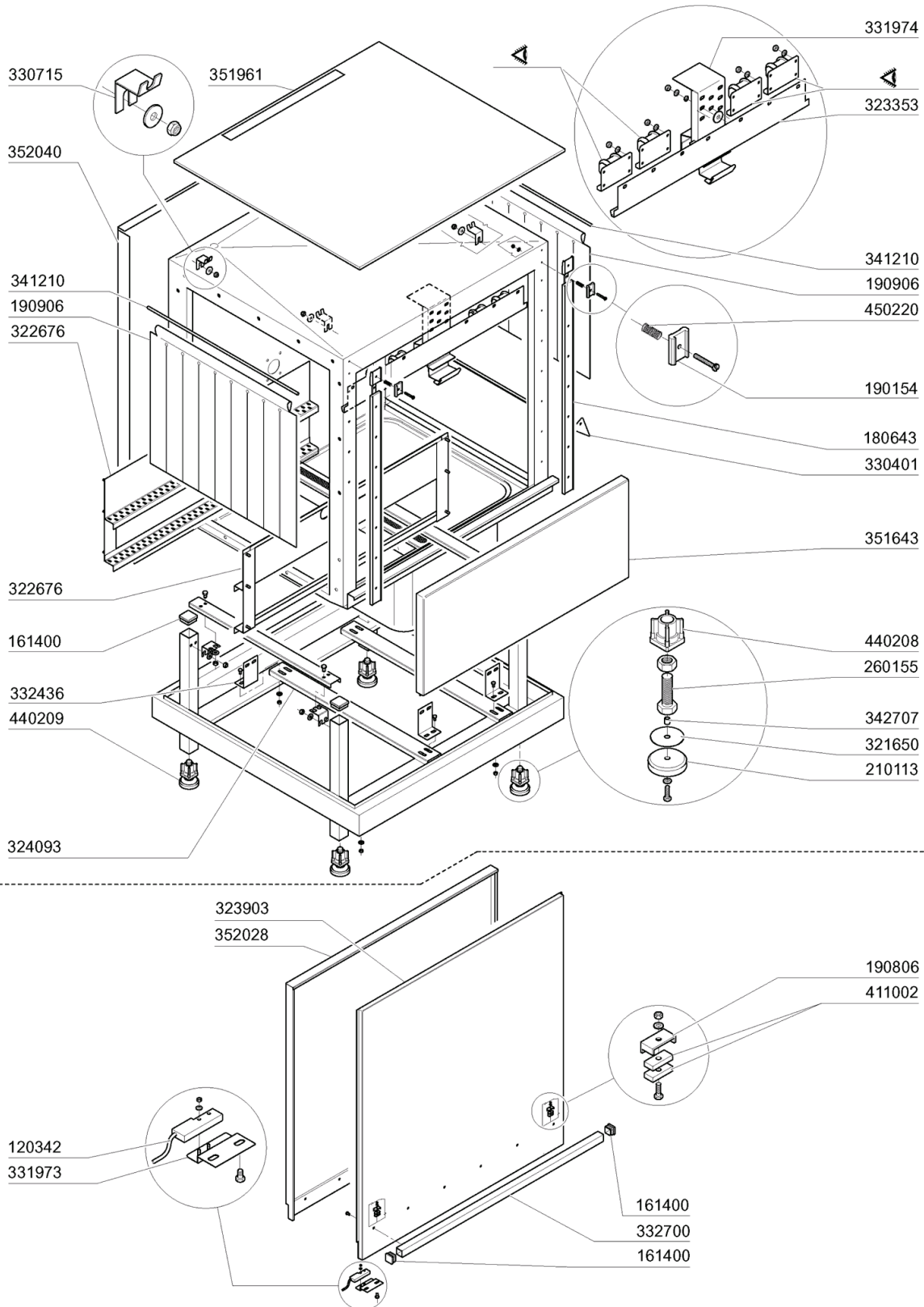


M.G. 10/07

5 - Prewash Assembly 600mm

| CODE | DESCRIPTION |
|--------|--------------------------------|
| 160780 | PLUG FOR WASH ARM |
| 180235 | PUMP SUCTION C85-140 |
| 190659 | BUSH |
| 190661 | BUSH |
| 200318 | INLET HOSE 64X76 C34 SE |
| 200368 | OUTLET HOSE S90-S N L |
| 200906 | GASKET D.92X66X2 |
| 200937 | GASKET F.LOWER WASH ARM |
| 270104 | LOCK NUT 1" 1/2 |
| 323379 | HOOK FOR WASH MANIFOLD |
| 330456 | RIGHT BRACKET |
| 330457 | LEFT BRACKET |
| 330458 | RIGHT BRACKET |
| 330459 | LEFT BRACKET |
| 330463 | PANEL |
| 331587 | DELIVERY ELBOW AC-ACR WASH |
| 332038 | FILTER FOR PUMP |
| 332226 | PREWASH MANIFOLD |
| 332227 | PREWASH MANIFOLD |
| 332250 | PREWASH RAMP |
| 332388 | BRACKET |
| 332417 | BRACKET |
| 342079 | PREWASH ARM PIN |
| 342767 | PIN |
| 450109 | CLAMP 50-65 |
| 450215 | SPRING F.SWITCH ROD R/B41-11-2 |
| 620865 | WASH ARM SUPPORT NE02 |

6 - Wash Hood 900mm

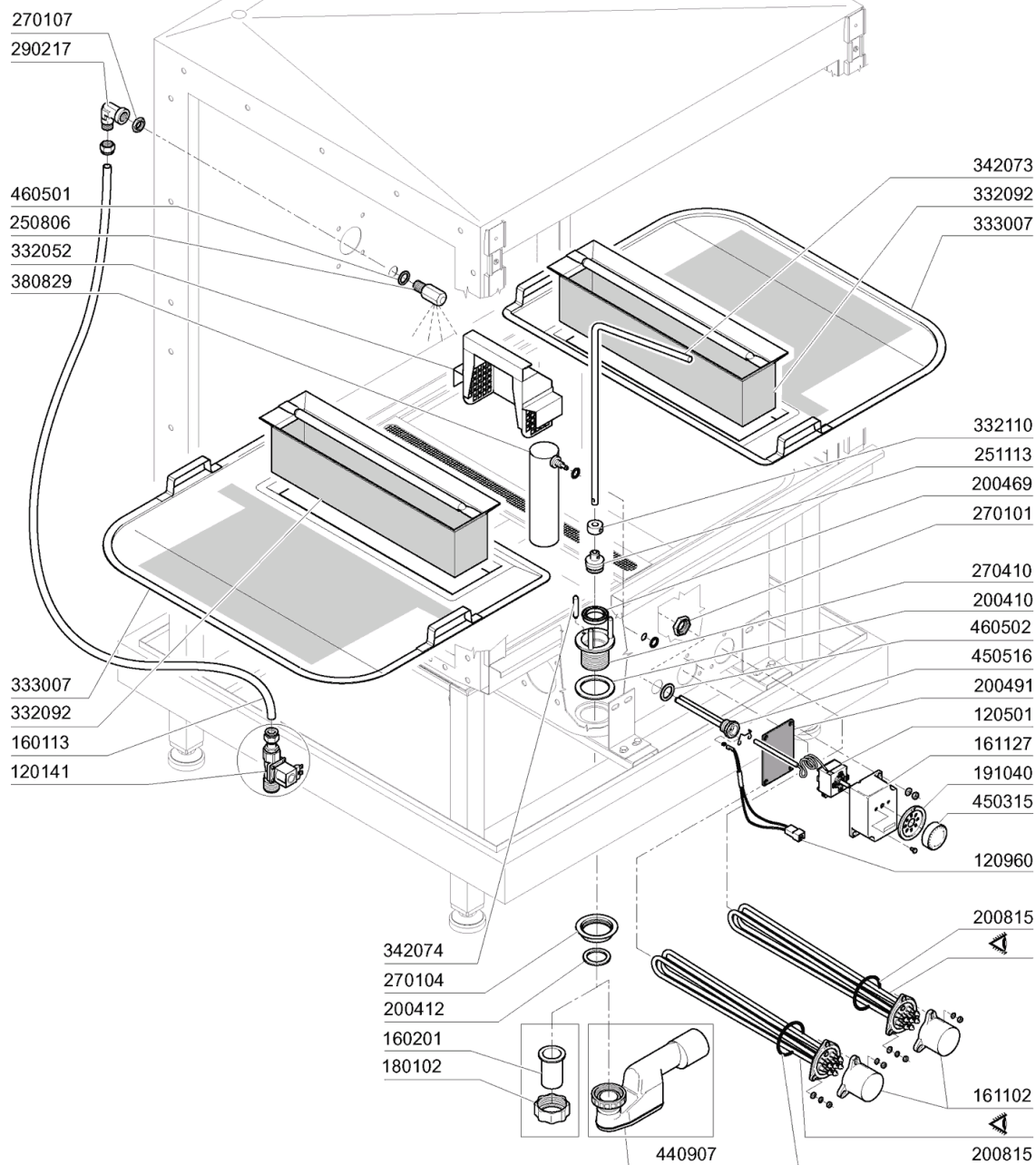


M.G. 10/07

6 - Wash Hood 900mm

| CODE | DESCRIPTION |
|--------|------------------------------|
| 120342 | DOR MAGNETIC SWITCH |
| 161400 | PLUG |
| 180643 | NE DOOR RAIL WITH BRAKE |
| 190154 | BRAKE |
| 190806 | MAGNET HOUSING |
| 190906 | CURTAIN IN/OUT 620X480 |
| 210113 | FOOT NE/2 |
| 260155 | SCREW M16X80 ST.STEEL |
| 321650 | PLATE FOR FOOT |
| 322676 | WASH GUIDE 900 NE/2 |
| 323353 | SUPPORT |
| 323903 | INSULATED DOOR 900 NL2 |
| 324093 | SUPPORT |
| 330401 | SPARTIACQ.SEMPL.VASCA NE BTM |
| 330715 | UPPER BRACKET CURTAIN SNL-SE |
| 331973 | DOOR MICRO SWITCH BRACKET |
| 331974 | SUPPORT FOR DOOR HOOK |
| 332436 | BRACKET |
| 332700 | DOOR HANDLE 900 NL2 |
| 341210 | CURTAIN SHAFTS N 2S GM |
| 342707 | SPACER |
| 351643 | PANEL 900MM NE |
| 351961 | UPPER PANEL FOR HOOD 900 |
| 352028 | INSULATED PANEL 900 |
| 352040 | . |
| 411002 | PERMANENT MAGNET 24X12 |
| 440208 | FOOT INSERT |
| 440209 | COMPLETE FOOT NE |
| 450220 | SPRING |

7 - Wash tank 900mm

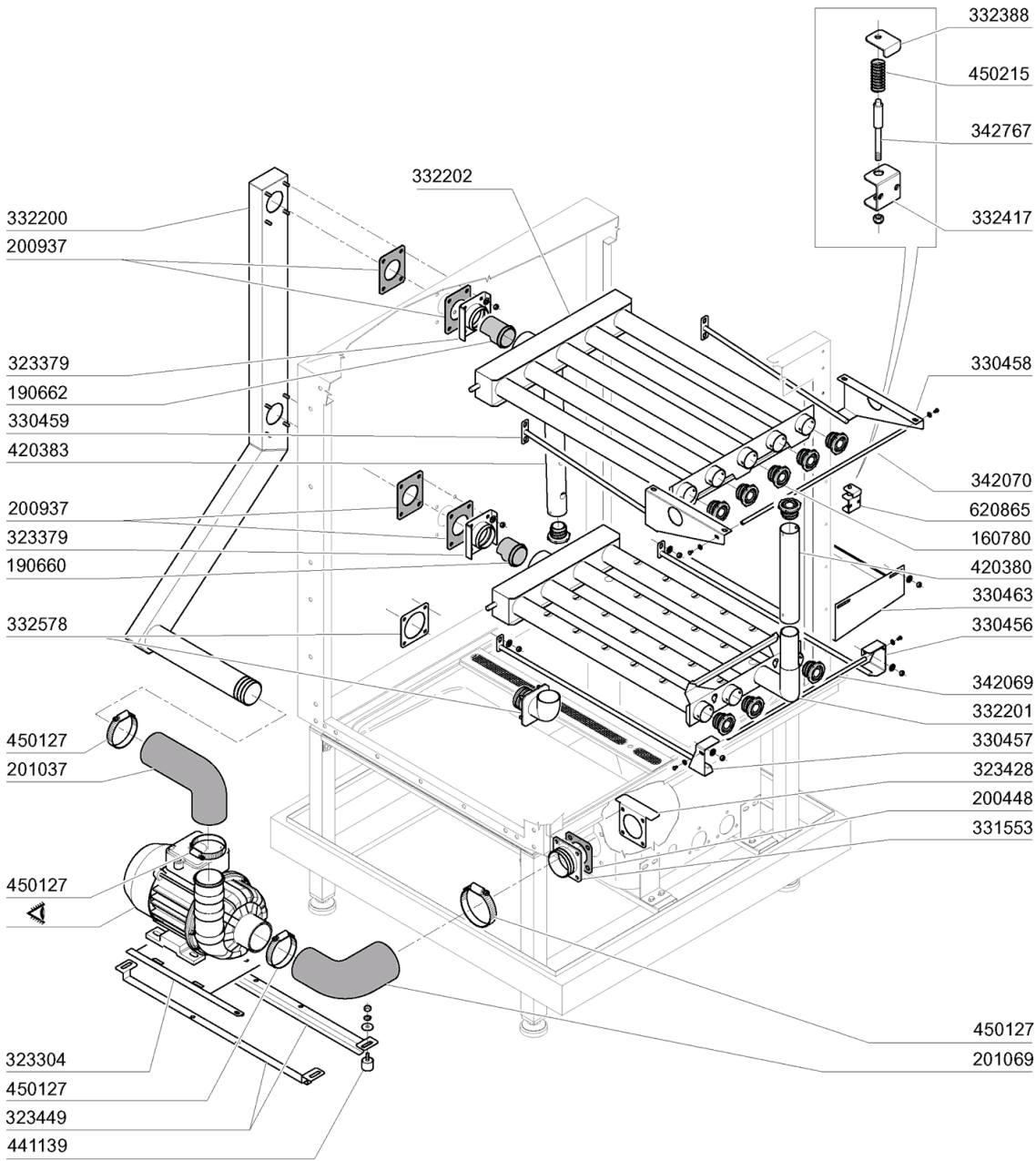


M.G. 10/07

7 - Wash tank 900mm

| CODE | DESCRIPTION |
|--------|---------------------------------|
| 120141 | SOLE.N.VALVE METAL.328000 D.1/2 |
| 120501 | THERMOSTAT 30/90ØC |
| 120960 | PROBE C-G |
| 160113 | TUBE IN POL. RETIC. 12 EST |
| 160201 | ELBOW F.TANK INLET MOPLN |
| 161102 | ELEMENT COVER MOPL. |
| 161127 | BOX FOR THERMOSTAT |
| 180102 | DRAIN PIPE NUT 1"1/2 F45-55 |
| 191040 | FRAME F.THERMOSTAT KNOB |
| 200410 | DRAIN OUTL.WASH.1 1/2"65X47X2 |
| 200412 | GASKET DRAIN 11/2" 45X33X3 |
| 200469 | STAND PIPE O RING 45X35,5X7 |
| 200491 | BACK GASKET OF THERMOSTAT BOX |
| 200815 | O-RING F. HEAT.ELEM. |
| 250806 | TANK FILL HOSE CLAMP - AC/ACR |
| 251113 | PLUG FOR DRAIN TANK |
| 270101 | HEXAGON LOCK NUT 1/2" |
| 270104 | LOCK NUT 1" 1/2 |
| 270107 | BRASS LOCK NUT 3/8" FL803 |
| 270410 | TANK DRAIN OUTLET |
| 290217 | HOSE CLAMP ELBOW 12X3/8" TYPE |
| 332052 | SUCTION FILTER NG2 |
| 332092 | STRAINER FOR PREWASH TANK ACS |
| 332110 | CLAMPING PIECES |
| 333007 | STRAINER |
| 342073 | WASH ROD |
| 342074 | PIN |
| 380829 | ST/ST AIR CHAMBER FOR NG-NE |
| 440907 | SIPHON 1"1/2 |
| 450315 | KNOB F. THERMOSTAT 90Ø |
| 450516 | THERMOSTAT SHIELD FOR 2 TERMOS |
| 460501 | GASKET 24X17X2 |
| 460502 | GASKET 30X21X2 |

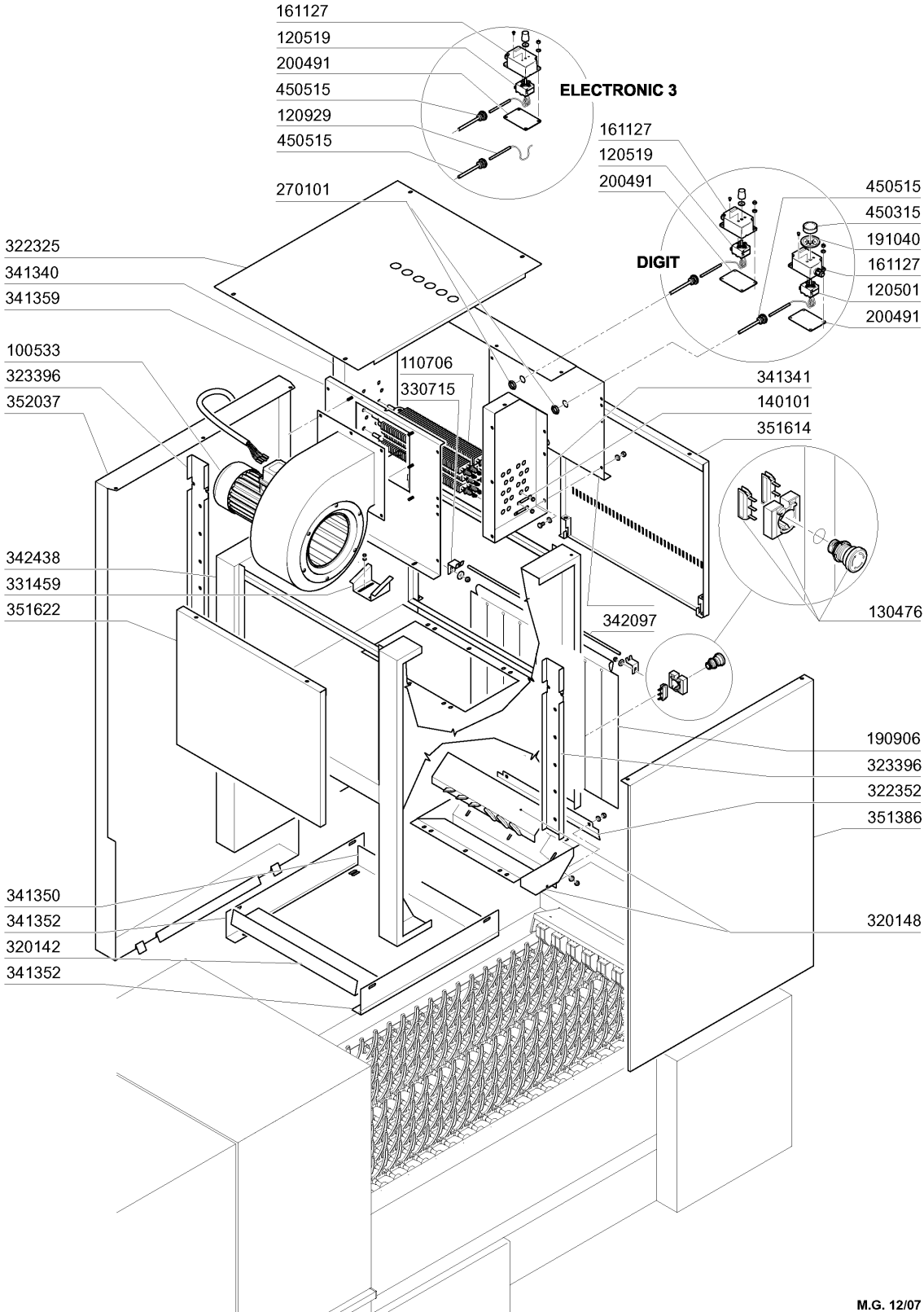
8 - Wash Assembly 900mm



M.G. 10/07

8 - Wash Assembly 900mm

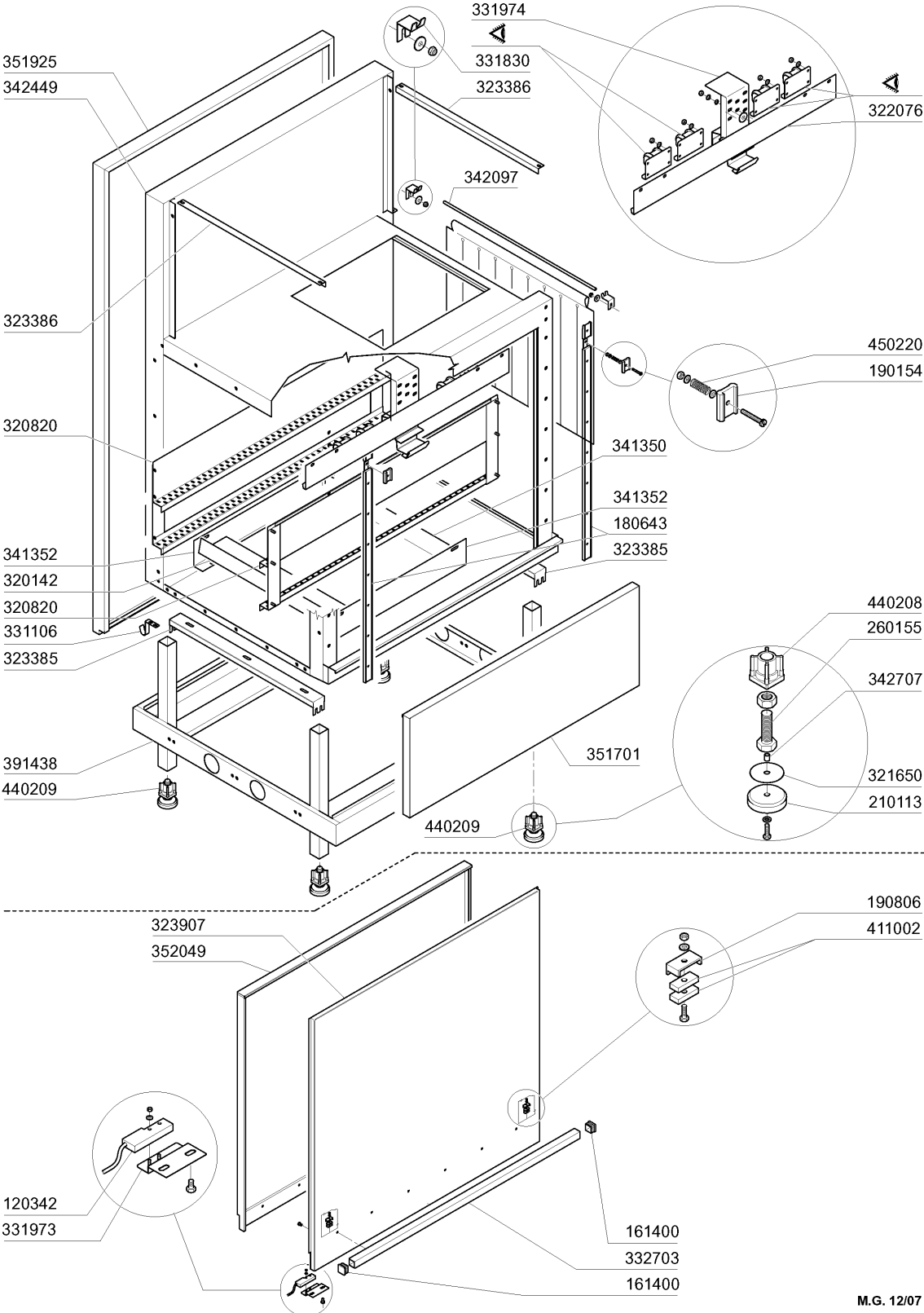
| CODE | DESCRIPTION |
|--------|--------------------------------|
| 160780 | PLUG FOR WASH ARM |
| 190660 | BUSH |
| 190662 | BUSH |
| 200448 | GASKET 100X100X3 HOLE D.76 |
| 200937 | GASKET F.LOWER WASH ARM |
| 201037 | OUTLET HOSE |
| 201069 | INLET HOSE |
| 323304 | SUPPORT |
| 323379 | HOOK FOR WASH MANIFOLD |
| 323428 | FILTER BRACKET |
| 323449 | SUPPORT |
| 330456 | RIGHT BRACKET |
| 330457 | LEFT BRACKET |
| 330458 | RIGHT BRACKET |
| 330459 | LEFT BRACKET |
| 330463 | PANEL |
| 331553 | INLET ELBOW FOR NG-GL WASH PUM |
| 332200 | WASH COLUMN |
| 332201 | CONNECTION ELBOW F.LOWER WASH |
| 332202 | CONNECTION ELBOW F.UPPER WASH |
| 332388 | BRACKET |
| 332417 | BRACKET |
| 332578 | OVERFLOW |
| 342069 | LOWER WASH ARM PIN |
| 342070 | UPPER WASH ARM PIN |
| 342767 | PIN |
| 420380 | SIDE WASH ARM |
| 420383 | SIDE ARM |
| 441139 | VIBRATION-DAMPING FEET 25X20X6 |
| 450127 | CLAMP FE ZN. 68-85 H=12,2 |
| 450215 | SPRING F.SWITCH ROD R/B41-11-2 |
| 620865 | WASH ARM SUPPORT NE02 |



9 - Blower Dryer 800

| CODE | DESCRIPTION |
|--------|--------------------------------|
| 100533 | FAN HP 1 220-240-380-415V VRP2 |
| 110706 | DRYER HEAT.ELEMENT 1500W 230V |
| 120501 | THERMOSTAT 30/90°C |
| 120519 | SECURITY THERMOSTAT 95-125°C |
| 120929 | PROBE 12 MT |
| 130476 | ROTATIVE EMERGENCY SWITCH |
| 140101 | BRASS CONNECT. PLATE HEAT.ELEM |
| 161127 | BOX FOR THERMOSTAT |
| 190906 | CURTAIN IN/OUT 620X480 |
| 191040 | FRAME F.THERMOSTAT KNOB |
| 200491 | BACK GASKET OF THERMOSTAT BOX |
| 270101 | HEXAGON LOCK NUT 1/2" |
| 320142 | DEFLECTOR F. DRYER |
| 320148 | DEFLECTOR F. DRYER |
| 322325 | COVER |
| 322352 | BRACKET |
| 323396 | BRACKET FOR 800MM DRYER HOOD |
| 330715 | UPPER BRACKET CURTAIN SNL-SE |
| 331459 | BRACKET FOR DRYING VENTILATOR |
| 341340 | LEFT SUPPORT |
| 341341 | RIGHT SUPPORT |
| 341350 | PANEL |
| 341352 | SUPPORT |
| 341359 | FAN SUPPORT |
| 342097 | SHAFT |
| 342438 | 800 MM DRYER HOOD |
| 351386 | 800 MM DRYER SIDE PANEL |
| 351614 | PANEL |
| 351622 | PANEL |
| 352037 | 800 MM DRYER BACK PANEL |
| 450315 | KNOB F. THERMOSTAT 90°C |
| 450515 | STAINL.ST.SHIELD FOR 1 THERMOS |

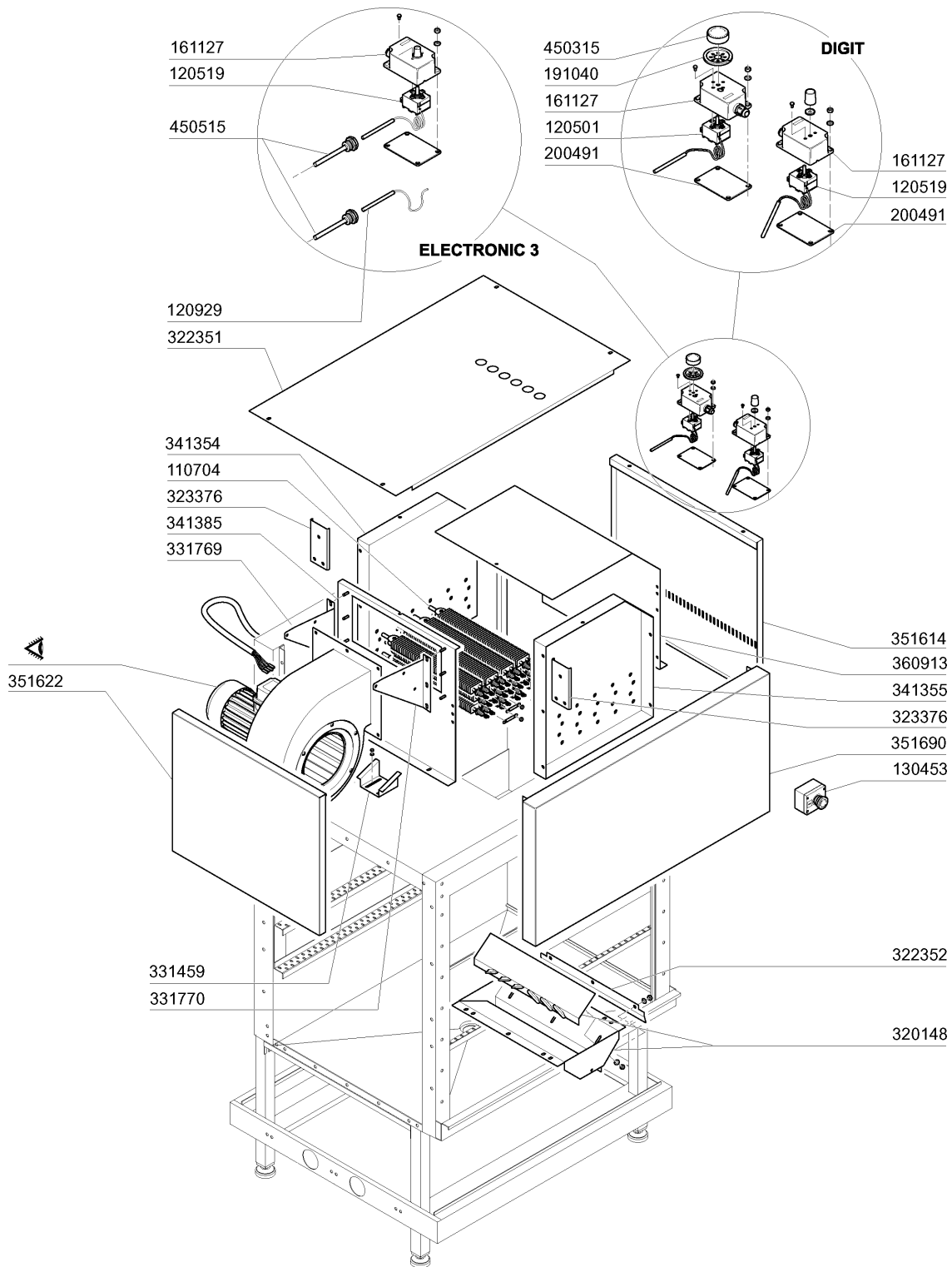
10 - Blower Dryer hood 1000



M.G. 12/07

10 - Blower Dryer hood 1000

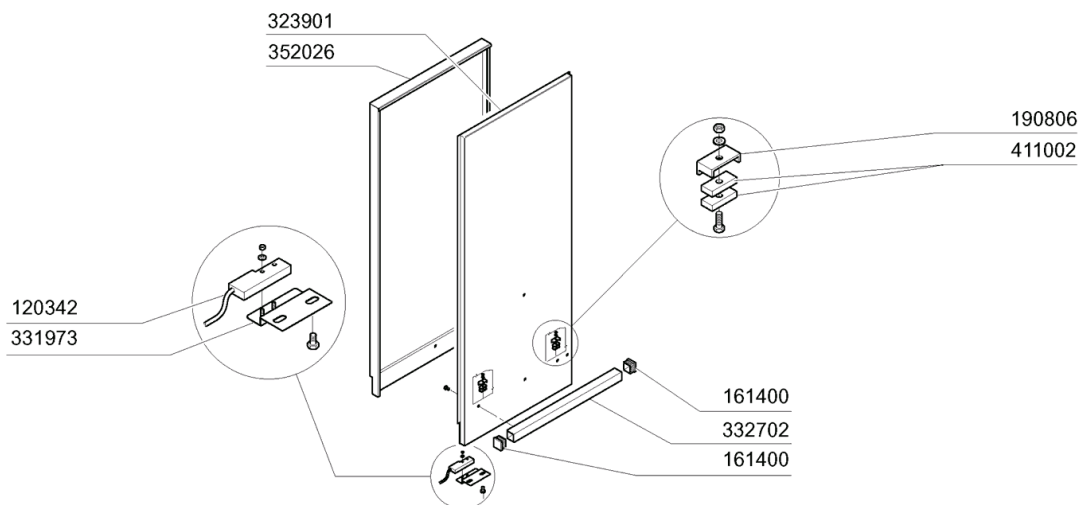
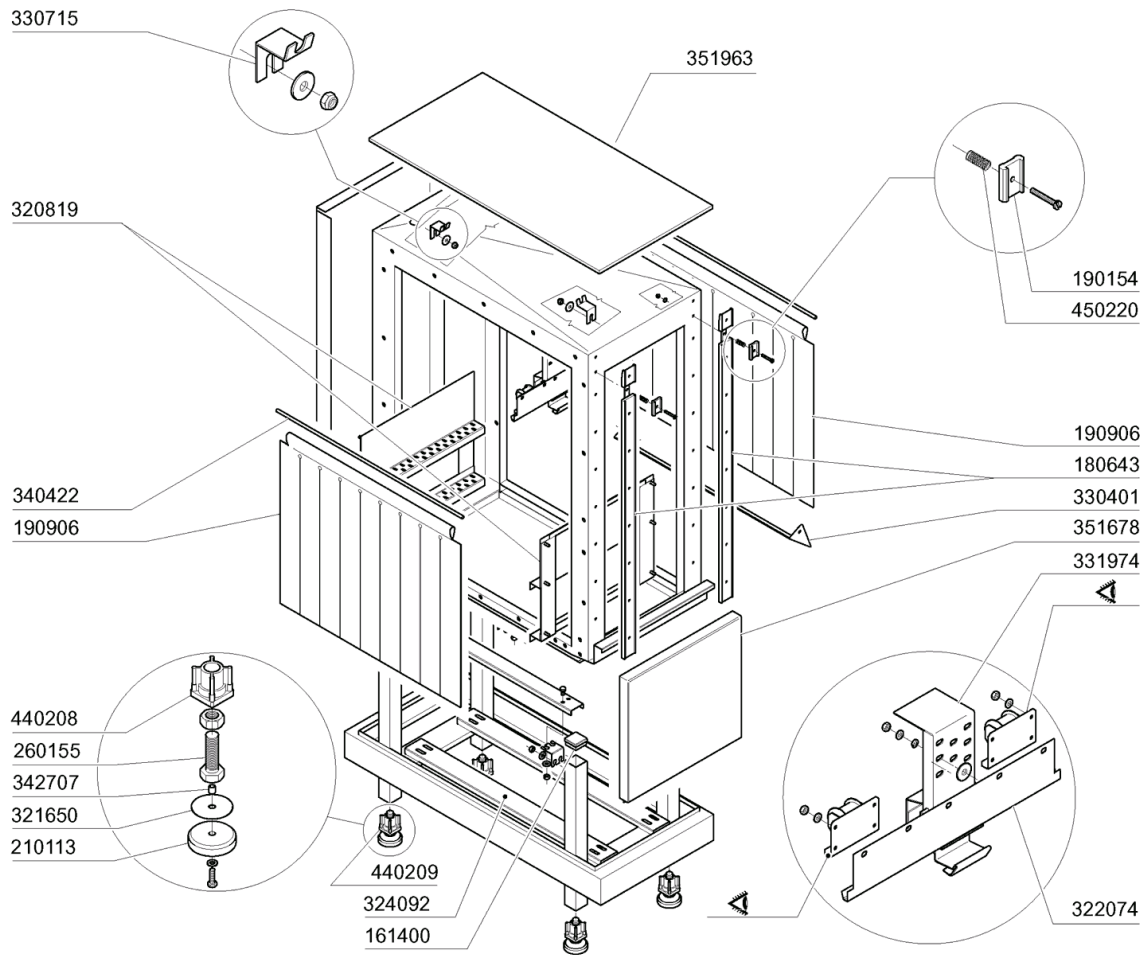
| CODE | DESCRIPTION |
|--------|--------------------------------|
| 120342 | DOR MAGNETIC SWITCH |
| 161400 | PLUG |
| 180643 | NE DOOR RAIL WITH BRAKE |
| 190154 | BRAKE |
| 190806 | MAGNET HOUSING |
| 210113 | FOOT NE/2 |
| 260155 | SCREW M16X80 ST.STEEL |
| 320142 | DEFLECTOR F. DRYER |
| 320820 | WASH 1000 GUIDE |
| 321650 | PLATE FOR FOOT |
| 322076 | SUPPORT |
| 323385 | SUPPORT |
| 323386 | SUPPORT |
| 323907 | 1000 DRYER DOOR |
| 331106 | SUPPORT.HOOK F.UPPER RINSE N-S |
| 331830 | BRACKET FOR CURTAIN |
| 331973 | DOOR MICRO SWITCH BRACKET |
| 331974 | SUPPORT FOR DOOR HOOK |
| 332703 | DOOR HANDLE 1000 NL2 |
| 341350 | PANEL |
| 341352 | SUPPORT |
| 342097 | SHAFT |
| 342449 | 1000 MM DRYER HOOD |
| 342707 | SPACER |
| 351701 | PANEL 1000 |
| 351925 | PANEL |
| 352049 | INSULATED PANEL 1000 |
| 391438 | HOOD |
| 411002 | PERMANENT MAGNET 24X12 |
| 440208 | FOOT INSERT |
| 440209 | COMPLETE FOOT NE |
| 450220 | SPRING |



11 - Blower Dryer 1000

| CODE | DESCRIPTION |
|-------------|--------------------------------|
| 110704 | HEAT.ELEMENT/DRYING 1000W 220V |
| 120501 | THERMOSTAT 30/90ØC |
| 120519 | SECURITY THERMOSTAT 95-125Ø |
| 120929 | PROBE 12 MT |
| 130453 | EMERGENCY RED PUSH BUTTON |
| 161127 | BOX FOR THERMOSTAT |
| 191040 | FRAME F.THERMOSTAT KNOB |
| 200491 | BACK GASKET OF THERMOSTAT BOX |
| 320148 | DEFLECTOR F. DRYER |
| 322351 | COVER |
| 322352 | BRACKET |
| 323376 | BRACKET |
| 331459 | BRACKET FOR DRYING VENTILATOR |
| 331769 | ZIEHL FAN SUPPORT |
| 331770 | ZIEHL FAN SUPPORT |
| 341354 | RIGHT SUPPORT FOR DRYER 18KW 1 |
| 341355 | LEFT SUPPORT FOR DRYER 18KW 10 |
| 341385 | DRYER FAN SUPPORT FOR NE MACHI |
| 351614 | PANEL |
| 351622 | PANEL |
| 351690 | FRONT PANEL 1000 |
| 360913 | BACK PANEL 1000MM NE XL |
| 450315 | KNOB F. THERMOSTAT 90Ø |
| 450515 | STAINL.ST.SHIELD FOR 1 THERMOS |

12 - Rinse Hood

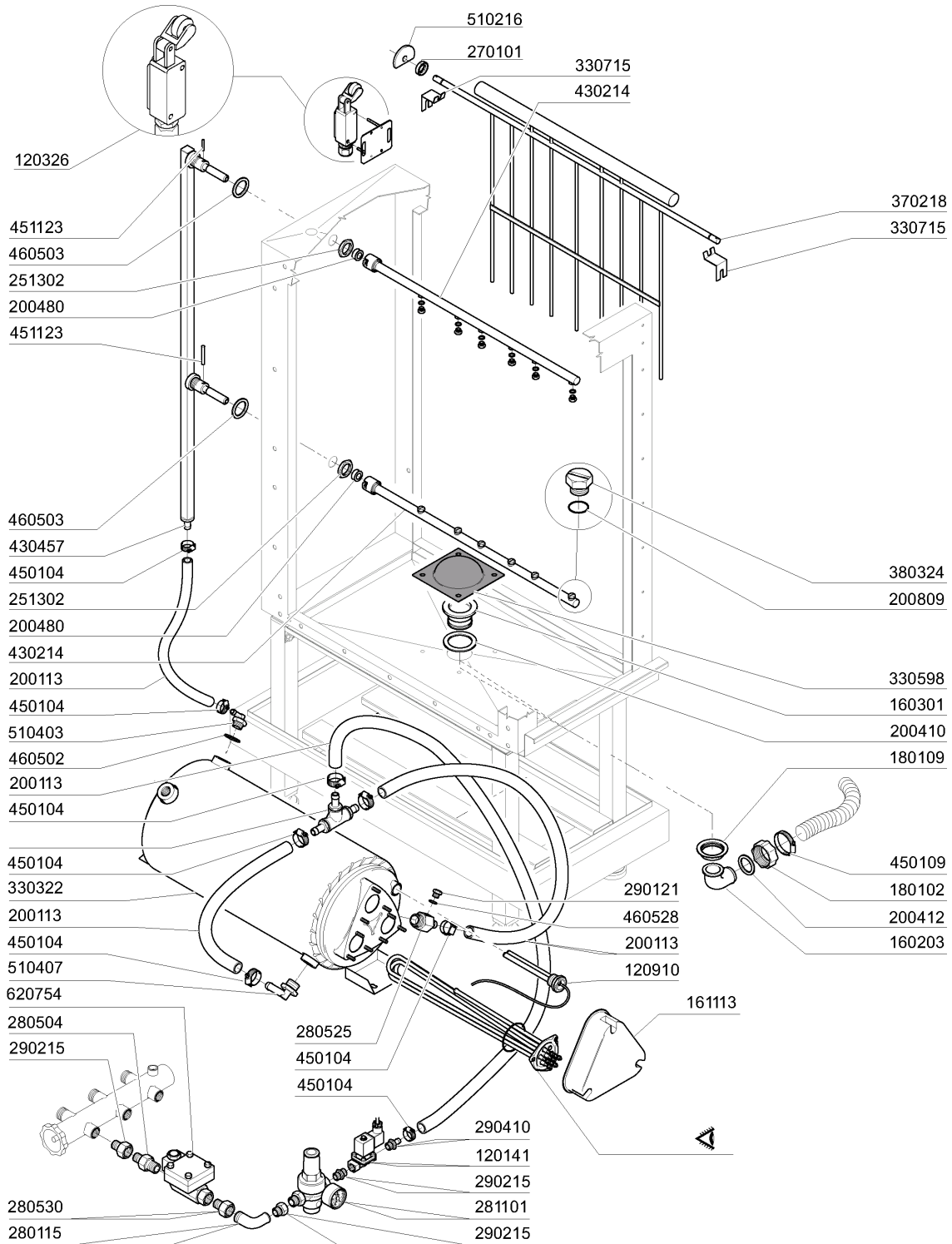


M.G. 10/07

12 - Rinse Hood

| CODE | DESCRIPTION |
|--------|------------------------------|
| 120342 | DOR MAGNETIC SWITCH |
| 161400 | PLUG |
| 180643 | NE DOOR RAIL WITH BRAKE |
| 190154 | BRAKE |
| 190806 | MAGNET HOUSING |
| 190906 | CURTAIN IN/OUT 620X480 |
| 210113 | FOOT NE/2 |
| 260155 | SCREW M16X80 ST.STEEL |
| 320819 | RINSE 400 NE GUIDE |
| 321650 | PLATE FOR FOOT |
| 322074 | SUPPORT |
| 323901 | INSULATED DOOR 400 NL2 |
| 324092 | SUPPORT |
| 330401 | SPARTIACQ.SEMPL.VASCA NE BTM |
| 330715 | UPPER BRACKET CURTAIN SNL-SE |
| 331973 | DOOR MICRO SWITCH BRACKET |
| 331974 | SUPPORT FOR DOOR HOOK |
| 332702 | DOOR HANDLE 400 NL2 |
| 340422 | SHAFT FOR CURTAIN AC-ACR |
| 342707 | SPACER |
| 351678 | FRONT PANEL 400 |
| 351963 | UPPER PANEL FOR HOOD 400 |
| 352026 | INSULATED PANEL 400 |
| 411002 | PERMANENT MAGNET 24X12 |
| 440208 | FOOT INSERT |
| 440209 | COMPLETE FOOT NE |
| 450220 | SPRING |

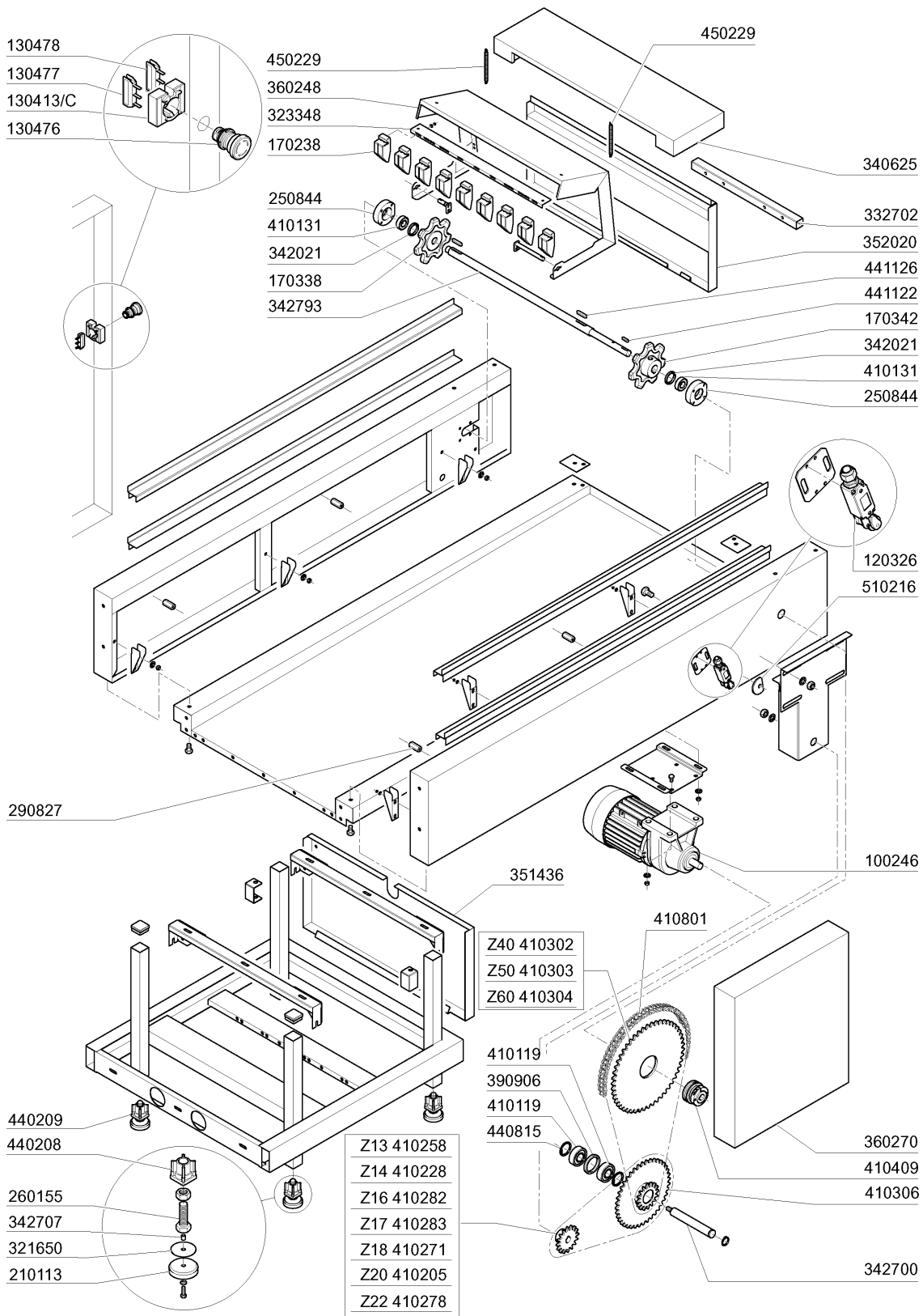
13 - Rinse assembly



M.G. 10/07

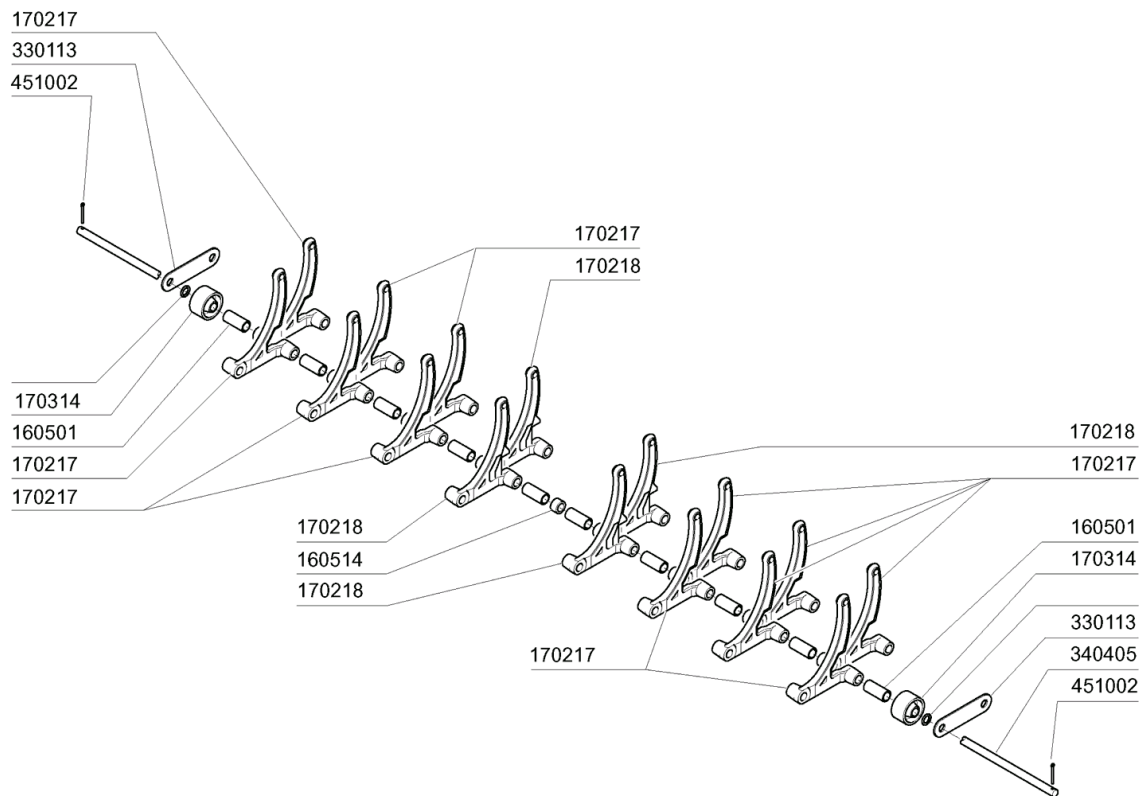
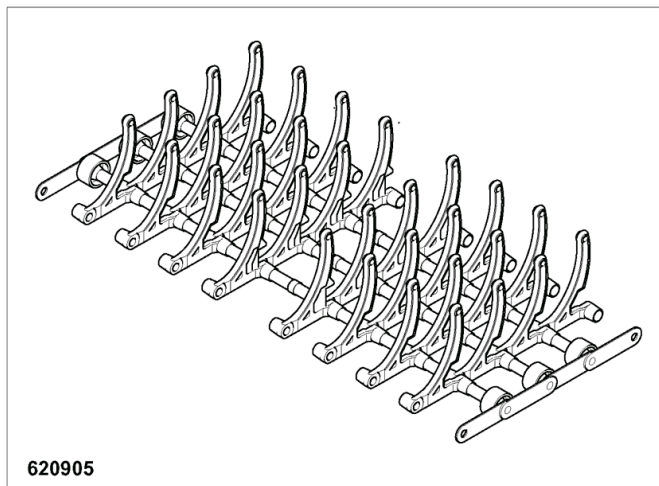
13 - Rinse assembly

| CODE | DESCRIPTION |
|--------|---------------------------------|
| 120141 | SOLE.N.VALVE METAL.328000 D.1/2 |
| 120326 | MICRO SWITCH FD 102 |
| 120910 | ELECTRONIC TOUCH PAD CONTROLS |
| 160203 | ELBOW 1"1/2 N-S-F-C /DRAIN |
| 160301 | DRAIN OUTLET 1"1/2 C-S-N |
| 161113 | ELMENT COVER BLACK |
| 180102 | DRAIN PIPE NUT 1"1/2 F45-55 |
| 180109 | LOCK NUT 1 1/2" |
| 200113 | RUBBER HOSE 12 X 22 |
| 200410 | DRAIN OUTL.WASH.1 1/2"65X47X2 |
| 200412 | GASKET DRAIN 11/2" 45X33X3 |
| 200480 | GASKET F. RINSE CONNECT. |
| 200809 | OR GASKET 1,78X8,73X12,29 |
| 251302 | S/S LOCK NUT 3/4" AC-ACR |
| 270101 | HEXAGON LOCK NUT 1/2" |
| 280115 | ELL 1/2" |
| 280504 | MANIFOLD CONN.HOSE |
| 280525 | NIPPLE |
| 280530 | CONNECT.3/4"X3/8" |
| 281101 | 3/4" ADJ VALVE C/W GAUGE |
| 290121 | BRASS PLUG 1/8" |
| 290215 | 1/2"BSP M/F UNION BRASS |
| 290410 | NIPPLE 1/2" |
| 330322 | INSULATED BOILER D.230 N/S |
| 330598 | ECORINSE FILTER |
| 330715 | UPPER BRACKET CURTAIN SNL-SE |
| 370218 | RINSE ECONOMISER FOR NE02 |
| 380324 | RINSE JETS 52,5 80Ø OV1/8" |
| 430214 | RINSE ARM NE02 |
| 430457 | RINSE COLUMN NE02 |
| 450104 | CLAMP FE ZN H=12,5 15-24 |
| 450109 | CLAMP 50-65 |
| 451123 | ELASTIC PIN 4X16 |
| 460502 | GASKET 30X21X2 |
| 460503 | SEALING WASHER 38X27X2(3/4) |
| 460528 | GASKET 15X10X2 FOR RINSE NIPPE |
| 510216 | N RINSE GATE ECCENTRE |
| 510403 | CONNECT.HOSE 90Ø1/2"X12 |
| 510407 | NIPPLE FOR BOILER N S |
| 620754 | FLUX CONTROL |



M.G. 01/08

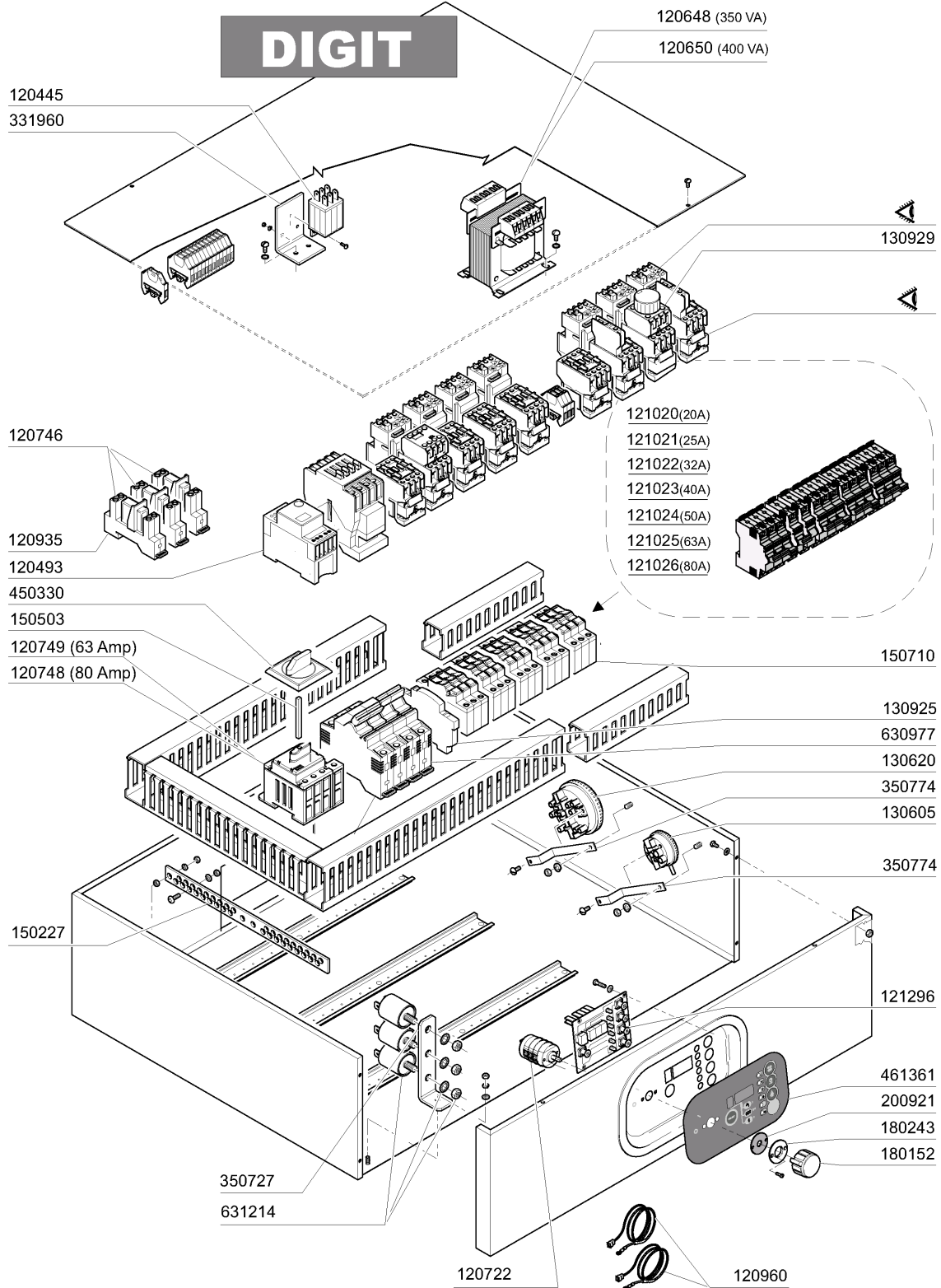
| CODE | DESCRIPTION |
|----------|--------------------------------|
| 100246 | DRIVE KW 0,1-0,15 380/3 |
| 120326 | MICRO SWITCH FD 102 |
| 130413/C | SUPPORT FOR ABB SWITCH |
| 130476 | ROTATIVE EMERGENCY SWITCH |
| 130477 | CONTACT NC |
| 130478 | CONTACT N.O. |
| 170238 | PEG END RUN ARM NE/2 |
| 170338 | PLASTIC PINION Z7 P60 |
| 170342 | PINION |
| 210113 | FOOT NE/2 |
| 250844 | SUPPORT |
| 260155 | SCREW M16X80 ST.STEEL |
| 290827 | SPACER NG-LVP1001 |
| 321650 | PLATE FOR FOOT |
| 323348 | SUPPORT FOR FINGERS |
| 332702 | DOOR HANDLE 400 NL2 |
| 340625 | EXIT TABLE COVER |
| 342021 | SPACER |
| 342700 | PIN |
| 342707 | SPACER |
| 342793 | DRIVE UNIT NL2 |
| 351436 | SIDE PANEL |
| 352020 | FRONT PANEL |
| 360248 | COVER |
| 360270 | BCK COVER CHANNEL |
| 390906 | SPACER |
| 410119 | RADIAL BEARING 32X15X9 |
| 410131 | S/S BALL BEARING 6004 2RS 20X4 |
| 410205 | PINION Z 14 - 1/2 |
| 410228 | TURNED PINION Z14-1/2"-D.19 |
| 410258 | PINION Z13-1/2" D19 |
| 410271 | PINION Z18 1/2-D.19 |
| 410278 | PINION Z22 1/2 D19 |
| 410282 | PINION Z16-1/2-D.19 |
| 410283 | PINION Z17-1/2-D.19 |
| 410302 | CROWN DISCS 40T 1/2" PITCH |
| 410303 | CROWN DISCS 50T 1/2" PITCH |
| 410304 | CROWN DISCS 60T 1/2"PITCH |
| 410306 | GROUP CROWN-SPROCKET Z14/40 |
| 410409 | TORQUE LIMITER LC2 |
| 410801 | DRIVE CHAIN 1/2" N-S |
| 440208 | FOOT INSERT |
| 440209 | COMPLETE FOOT NE |
| 440815 | INTERN.SEAL RING D.32 |
| 441122 | DRIVE SHAFT KEY 6X6X25 UNI 660 |
| 441126 | DRIVE SHAFT KEY 8X7X40 |
| 450229 | STAINL.ST SPRING LIMIT SWITCH |
| 510216 | N RINSE GATE ECCENTRE |



M.G. 10/07

15 - Conveyor

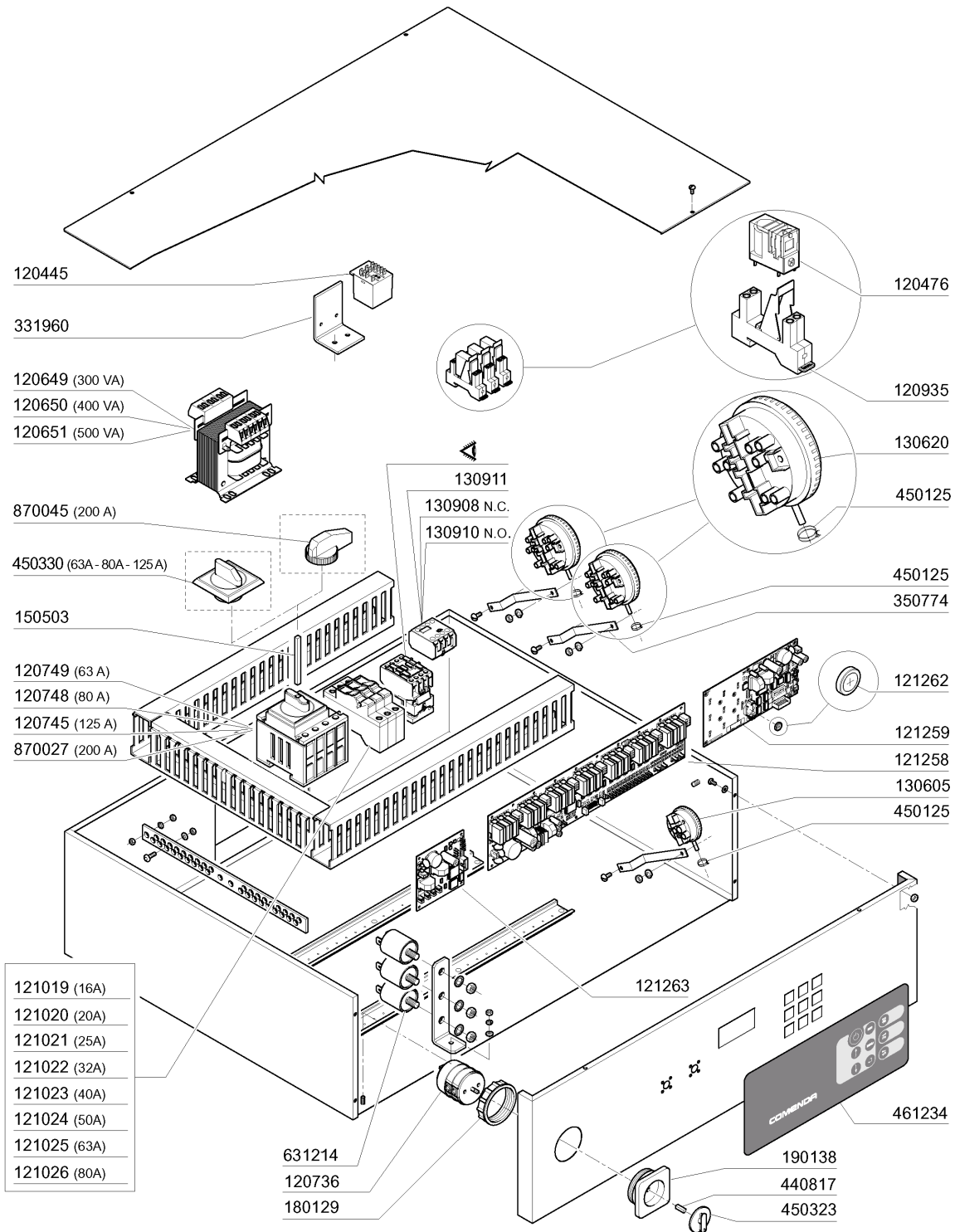
| CODE | DESCRIPTION |
|-------------|--------------------------------|
| 160501 | SPACER FLIGHT D.9X25 CONVEYOR |
| 160514 | SPACER 7,9 108378 MOP |
| 170217 | FINGER FOR BELT 60MM |
| 170218 | CENTRAL FINGER 60MM CONVEYOR B |
| 170314 | GRAY BELTWHEEL N |
| 330113 | LINKS |
| 340405 | SHAFT FOR BELTN D.8X611 |
| 451002 | COTTER PIN STAINL.ST. D2X12 |
| 620905 | BELT NL2 P.60 |



M.G. 10/07

16 - Control Box

| CODE | DESCRIPTION |
|--------|--------------------------------|
| 120445 | AUXILIARY RELAY S.B2/3 24V |
| 120493 | RELAY 130180240000 |
| 120648 | TRANSFORMER 250VA225-240-380-4 |
| 120650 | TRANSFORMER 400VA225-240-380-4 |
| 120722 | 6 POLE SWITVH 2 POSITIONS |
| 120746 | SELECTOR WITH LIGHT RM650R |
| 120748 | MAINSWITCH 80A 4P |
| 120749 | MAINSWITCH 63A 4P |
| 120935 | SUPPORT |
| 120960 | PROBE C-G |
| 121020 | CIRCUIT BREAKER 20A |
| 121021 | CIRCUIT BREAKER 25A |
| 121022 | CIRCUIT BREAKER 32A |
| 121023 | CIRCUIT BREAKER 40A |
| 121024 | CIRCUIT BREAKER 50A |
| 121025 | CIRCUIT BREAKER 63A |
| 121026 | MAGN.SWITCH 80A |
| 121296 | ELECTRONIC CONTROL PANEL |
| 130605 | PRESSURE SWITCH 50-30 1 LEVEL |
| 130620 | PRESSURE SWITCH 3 LEVEL 50-30/ |
| 130925 | CONTACT FOR CIRCUIT BREAKER |
| 130929 | CONTACT ABB 1NO/1NC 30" |
| 150227 | BRACKET |
| 150503 | EXTENTION FOR MAIN SWITCH |
| 150710 | FUSE CARRIER 10,3X38 ART.21401 |
| 180152 | KNOB |
| 180243 | FLANGE |
| 200921 | GASKET |
| 331960 | BRACKET |
| 350727 | BRACKET |
| 350774 | BRACKET |
| 450330 | KNOB FOR MAIN SWITCH |
| 461361 | PLATE ACS101-242 DIGIT |
| 630977 | COIL FOR CIRCUIT BREAKER 24V |
| 631214 | ANTI-NOISE FILTER 4011135007 3 |

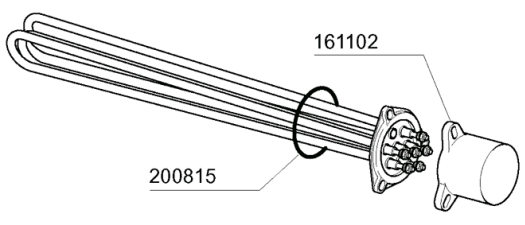


17 - Control Box

| CODE | DESCRIPTION |
|--------|--------------------------------|
| 120445 | AUXILIARY RELAY S.B2/3 24V |
| 120476 | RELAY 16A 24V |
| 120649 | TRANSFORMER 300VA225-240-380-4 |
| 120650 | TRANSFORMER 400VA225-240-380-4 |
| 120651 | TRANSFORMER 500VA225-240-380-4 |
| 120736 | 4 POLE MAIN SWITCH 25A 500V |
| 120745 | MAIN SWITCH 4 POLE 125A |
| 120748 | MAINSWITCH 80A 4P |
| 120749 | MAINSWITCH 63A 4P |
| 120935 | SUPPORT |
| 121019 | MAGNETOT.SWITCH S253C16 |
| 121020 | CIRCUIT BREAKER 20A |
| 121021 | CIRCUIT BREAKER 25A |
| 121022 | CIRCUIT BREAKER 32A |
| 121023 | CIRCUIT BREAKER 40A |
| 121024 | CIRCUIT BREAKER 50A |
| 121025 | CIRCUIT BREAKER 63A |
| 121026 | MAGN.SWITCH 80A |
| 121258 | MAIN PCB E3 |
| 121259 | KEYBOARD PCB |
| 121262 | LITHIUM BATTERY 3V.CR2450N |
| 121263 | HPS BOARD |
| 130605 | PRESSURE SWITCH 50-30 1 LEVEL |
| 130620 | PRESSURE SWITCH 3 LEVEL 50-30/ |
| 130908 | AUXILIARY CONTACT LA1 DO2 A65 |
| 130910 | CONTACT LA1 D20 A65 |
| 130911 | CONTACT LA1 D40 A65 |
| 150503 | EXTENTION FOR MAIN SWITCH |
| 180129 | NUT FOR MAIN SWITCH SUPPORT |
| 190138 | SUPPORT |
| 331960 | BRACKET |
| 350774 | BRACKET |
| 440817 | SNAP RING LSCB/1853/17/00 |
| 450125 | ELASTIC CLAMP D. 10,4X9,8 |
| 450323 | KNOB FOR BC-BR-C95-C155 |
| 450330 | KNOB FOR MAIN SWITCH |
| 461234 | PLATE "ELECTRONIC 3" |
| 631214 | ANTI-NOISE FILTER 4011135007 3 |
| 870027 | MAIN SWITCH 200A |
| 870045 | SWITCH FOR MAIN SWITCH 200A |

| Modello | Prelavaggio Prelavage Prewash Vorwaschzone Prelavado 600 | Prelavaggio Prelavage Prewash Vorwaschzone Prelavado 900 | Lavaggio Lavage Wash Waschzone Lavado 900 | 2° Lavaggio Lavage Wash Waschzone Lavado 900 | Ecorinse Ecorinse Ecorinse Ecorinse Ecorinse | Risciacquo Rincage Rinse Nachspülung Aclarado |
|-----------------|---|---|--|---|---|--|
| NL 302 | | | 14 Kw (8kw+6kw) | | | 16 Kw (8kw+8kw) |
| NL 402 | | | 14 Kw (8kw+6kw) | | | 18 Kw (9kw+9kw) |
| NL 502 | | 9 Kw | 14 Kw (8kw+6kw) | | | 21 Kw (6kw+6kw+9kw) |
| NL 552 | | | 12 Kw (6kw+6kw) | 14 Kw (8kw+6kw) | | 23 Kw (8kw+6kw+9kw) |
| NL 302/E | | | 14 Kw (8kw+6kw) | | 5 Kw | 16 Kw (8kw+8kw) |
| NL 402/E | | | 14 Kw (8kw+6kw) | | 5 Kw | 18 Kw (9kw+9kw) |
| NL 502/E | | 9 Kw | 14 Kw (8kw+6kw) | | 6 Kw | 21 Kw (6kw+6kw+9kw) |
| NL 552/E | | | 12 Kw (6kw+6kw) | 14 Kw (8kw+6kw) | 6 Kw | 23 Kw (8kw+6kw+9kw) |

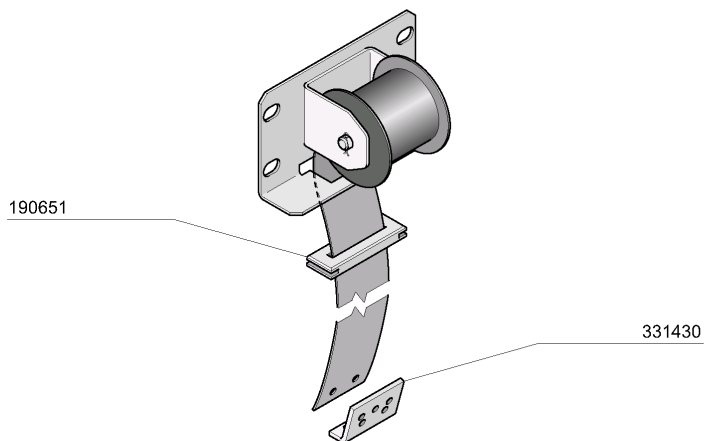
380 - 415V

| | | |
|---|------|--------|
|  | 5 Kw | 110283 |
| | 6 Kw | 110349 |
| | 8 Kw | 110343 |
| | 9 Kw | 110362 |

18 - Heating Elements

| CODE | DESCRIPTION |
|--------|-----------------------------|
| 110283 | ECORINSE HEATER 5000W ACRS |
| 110343 | HEAT.ELEM. 8000W 220/380V |
| 110349 | HEAT.ELEMENT 6000W 230/400V |
| 110362 | HEAT.ELEMENT 9000W 220/380V |
| 161102 | ELEMENT COVER MOPL. |
| 200815 | O-RING F. HEAT.ELEM. |

19 - Spring For Counterbalancing doors



| <i>Tipo porta</i> <i>Type porte</i> <i>Door type</i> <i>Türtyp</i> <i>Modelo puerta</i> | | 3,5 kg | 4 kg | 5 kg |
|---|---|------------|----------|----------|
| <i>Cod.</i> | | 391317 | 391309 | 391331 |
| 400 | Doppia parete Double skin Double paroi Doppelwandig Dobla pared | (2x3,5) kg | | |
| 600 | Doppia parete Double skin Double paroi Doppelwandig Dobla pared | | | (2x5) kg |
| 900 | Doppia parete Double skin Double paroi Doppelwandig Dobla pared | (4x3,5) kg | | |
| 1000 | Doppia parete Double skin Double paroi Doppelwandig Dobla pared | (2x3,5) kg | (2x4) kg | |

M.G. 01/10

19 - Spring For Counterbalancing doors

| CODE | DESCRIPTION |
|--------|-----------------------------|
| 190651 | BUSH |
| 331430 | BRACKET FOR DOOR SPRING |
| 391309 | DOOR SPRING 4KG - 40MM |
| 391317 | DOOR SPRING 3,5KG - 40MM |
| 391331 | SPRING ASSEMBLY KG. 5 MM 40 |

1,5 KW 220-240 V | 380-415 V

100752 (50 Hz)
100883 (60 Hz)

2,7 KW 220-240 V | 380-415 V

100782 (50 Hz)
100822 (60 Hz)

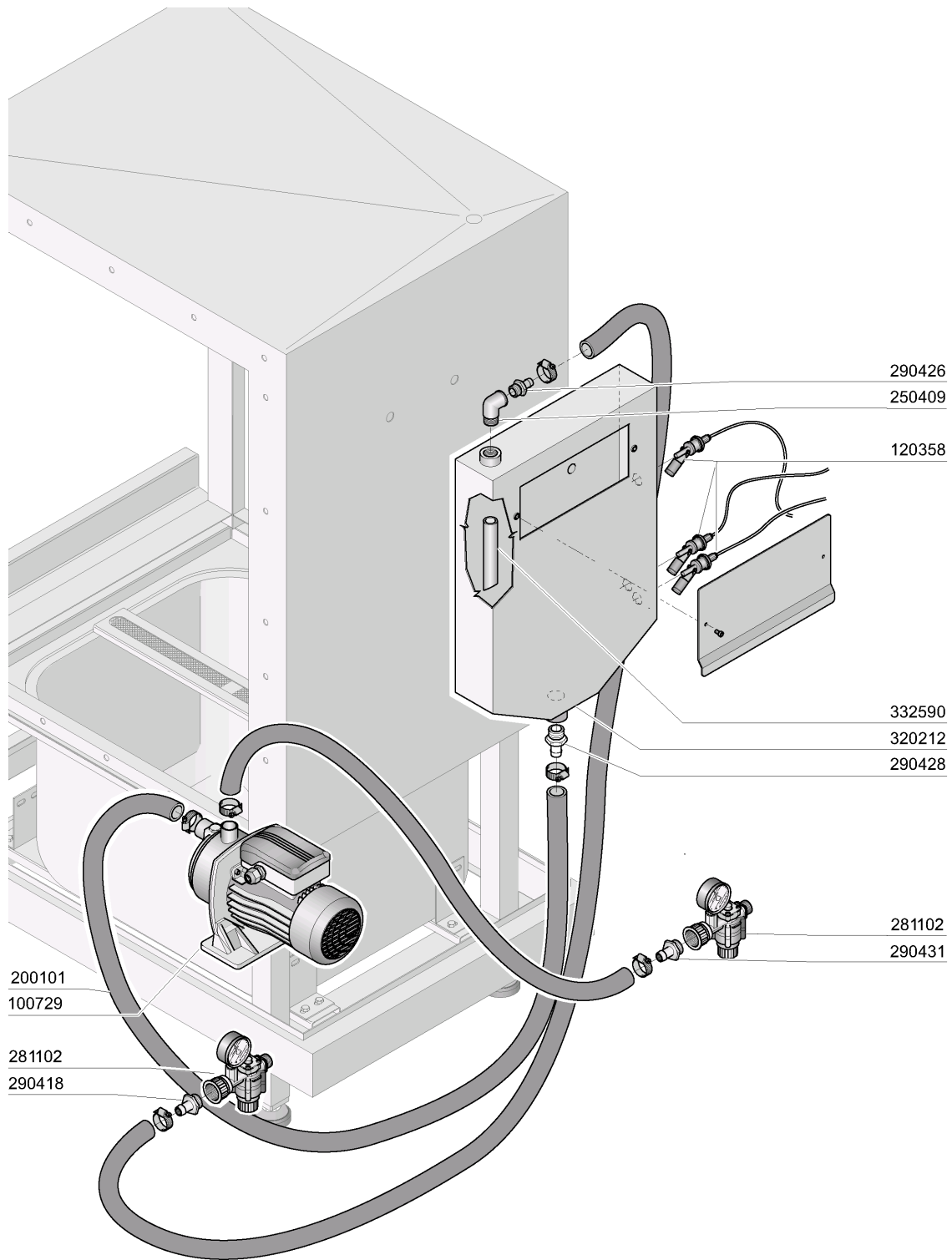
"ECORINSE"

0,35 KW 220-240 V | 380-415 V

100647 (50 Hz)
100669 (60 Hz)

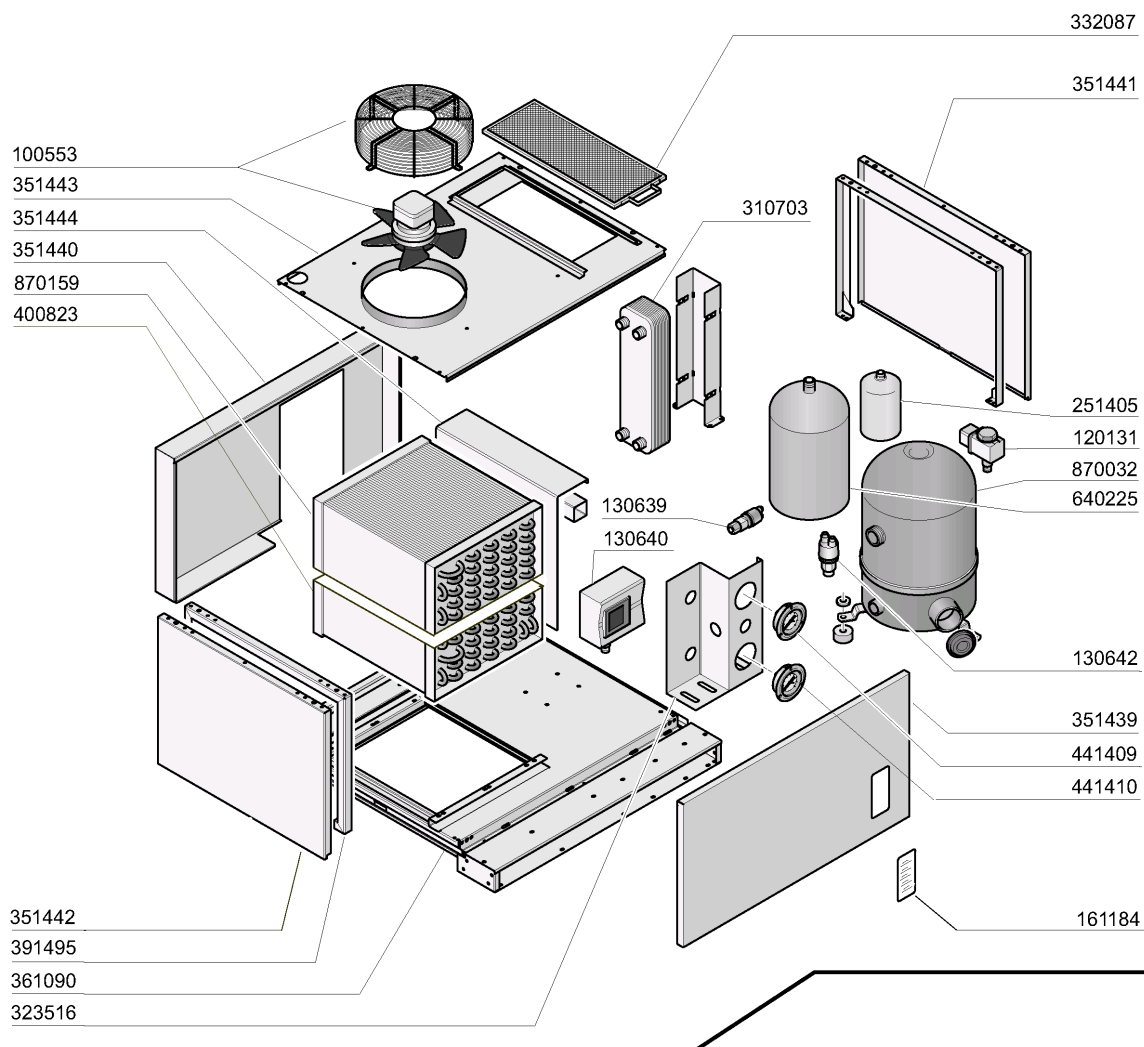
| 220/240 V | | | | | | 380/415 V | | | | |
|--|------|---|--------|--|--------|---|--------|--|--------|--|
| Pompa Pompe Pump Pumpe Bomba | | Teleruttore Contacteur Contactor Schalterschütz Contactor | | Magnetotermici Magneto-termique Termo-magnetic Magnetischer schalter Magneto-termico | | Teleruttore Contacteur Contactor Schalterschütz Contactor | | Magnetotermici Magneto-termique Termo-magnetic Magnetischer schalter Magneto-termico | | |
| Hp | Kw | A | cod. | A | cod | A | cod. | A | cod. | |
| 0,46 | 0,35 | 9 | 120428 | 1 ÷ 1,6 | 120821 | 9 | 120428 | 0,4 ÷ 0,63 | 120830 | |
| 2 | 1,5 | 9 | 120468 | 4 ÷ 6 | 120824 | 9 | 120428 | 2,5 ÷ 4 | 120823 | |
| 3,7 | 2,7 | 12 | 120429 | 7 ÷ 10 | 120828 | 9 | 120428 | 4 ÷ 6 | 120824 | |

| CODE | DESCRIPTION |
|--------|--------------------------------|
| 100647 | PUMP HP 0,20 220/240/3 4226 |
| 100669 | PUMP HP 0,12 220/380 60HZ C16 |
| 100752 | PUMP HP2 ZF800 |
| 100782 | PUMP LGB ZF 1200 2,7 KW |
| 100822 | PUMP SX LGB ZF1200 2,7KW 60HZ |
| 100883 | PUMP HP 2 ZF800 60HZ |
| 120428 | CONTACTOR 9A 24V 50HZ |
| 120429 | CONTACTOR 12A 24V 50HZ |
| 120468 | CONTACTOR ABB 9A 24V 50/60HZ |
| 120821 | OVERLOAD RELAY 1/1,6A |
| 120823 | OVERLOAD RELAY 2.5/4 A |
| 120824 | OVERLOAD RELAY 4/6 A |
| 120828 | OVERLOAD RELAY 7/10 A |
| 120830 | OVERLOAD RELAY 0,40 - 0,63 A |
| 630125 | VOLUTE 0,12/0,3(2212-29) |
| 630137 | PUMP VOLUTE LGB ZF800DX |
| 630145 | PUMP VOLUTE ZF1200 |
| 630235 | PUMP COVER 0,12/0,3 2212-19 |
| 630256 | PUMP FLANGE ZF800 |
| 630257 | PUMP FLANGE ZF1200 |
| 630331 | COOLING FAN FOR PUMP ZF800 |
| 630332 | COOLING FAN FOR PUMP ZF1200 |
| 630416 | OR FOR VOLUTE 0,12/0,3 |
| 630426 | GASKET LGB ZF800 |
| 630432 | GASKET FOR PUMP ZF1200 |
| 630511 | PUMP SEAL HP 0,10 82 |
| 630528 | SEAL LGB ZF800 2HP |
| 630540 | SEAL FOR PUMP ZF1200 |
| 631675 | ST/ST PUMP IMPELLER 0,2HP 2226 |
| 631692 | IMPELLER PUMP ZF650/800 |
| 631705 | IMPELLER 60HZ FOR PUMP 100669 |
| 631706 | PUMP IMPELLER ZF1200SX |
| 631708 | PUMP IMPELLER ZF1200DX |
| 631709 | PUMP IMPELLER ZF800 60HZ |

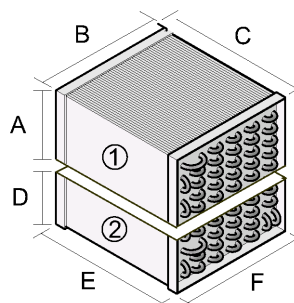


21 - Break tank_TR

| CODE | DESCRIPTION |
|--------|-------------------------------|
| 100729 | PUMP HP 0,4 220/240V 2HM3T |
| 120358 | FLOATING MAGN.SWITCH |
| 200101 | RUBBER TUBE 25X35 |
| 250409 | INOX ELL FF 1/2" |
| 281102 | 1/2" ADJ VALVE C/W GAUGE TYPE |
| 290418 | NIPPLE 1/2" |
| 290426 | NIPPLE 1/2" |
| 290428 | NIPPLE M.3/4" |
| 290431 | NIPPLE 1/2" |
| 320212 | BREAK TANK BOX |
| 332590 | STAINLESS STEEL HOSE FOR B.T. |

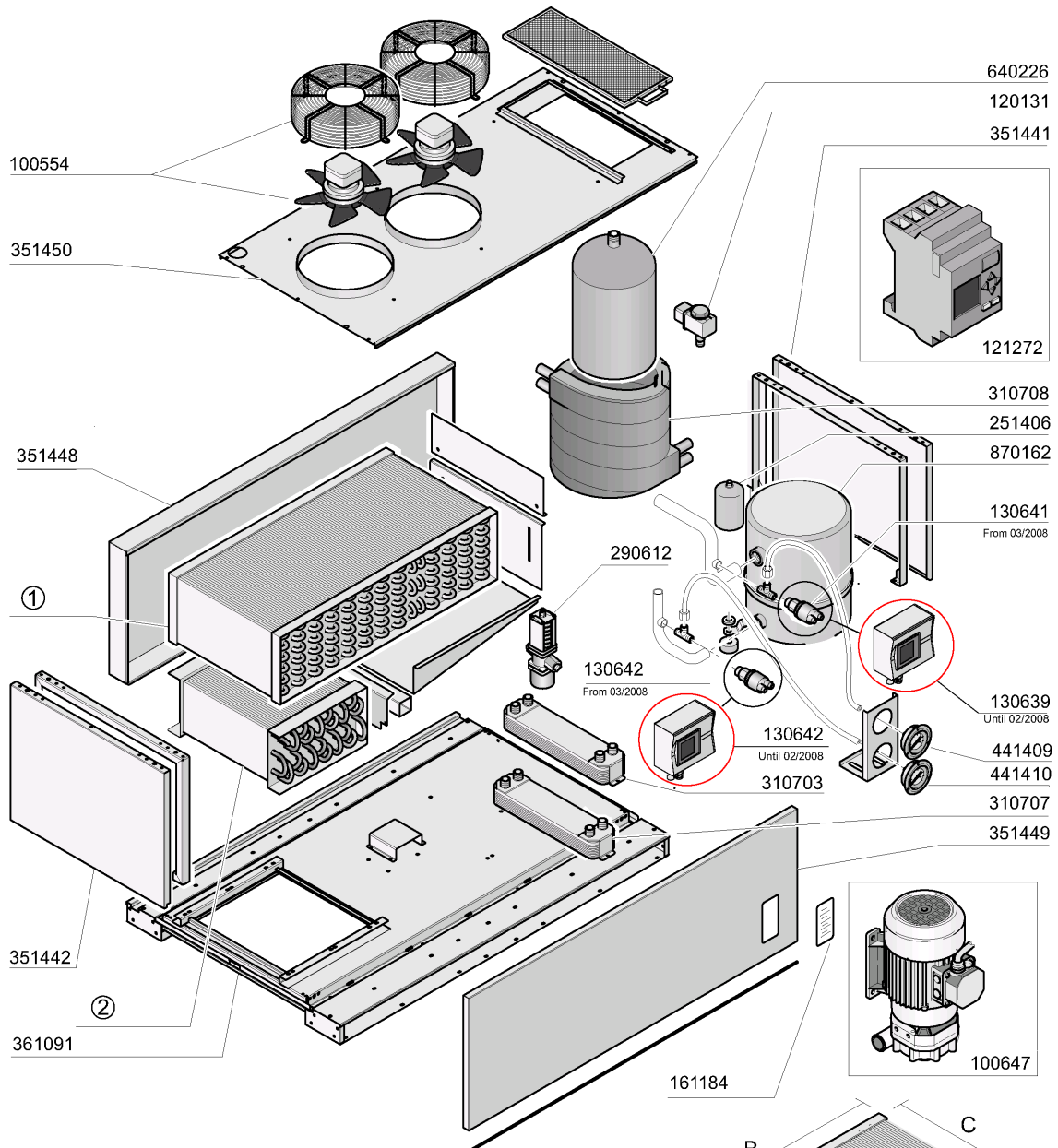


- ① - A x B x C = 298 x 423 x 490 = CODE 870159/RIV
- ① - A x B x C = 230 x 400 x 450 = CODE 870159
- ② - D x E x F = 142 x 490 x 423 = CODE 400823/RIV
- ② - D x E x F = 140 x 450 x 450 = CODE 400823

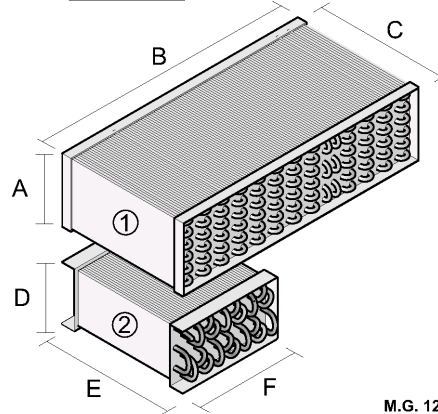


22 - Heat pumps WP4

| CODE | DESCRIPTION |
|------------|--------------------------------|
| 100553 | WP4 FAN |
| 120131 | SOLEN. L182Q31-ZB10A 1/2"24V |
| 130639 | LOW PRESSURE SWITCH WP |
| 130640 | HIGH PRESSURE SWITCH WP |
| 130642 | PRESSURE SWITCH WP4-LOW PRESS. |
| 161184 | MANOMETER INSPECTION GLASS |
| 251405 | FILTER WP4 |
| 310703 | RINSE WATER CONDENSOR |
| 323516 | MANOMETER SUPPORT |
| 332087 | WP4 COVER FILTER |
| 351439 | FRONT PANEL 750 MM |
| 351440 | BACK PANEL 750MM |
| 351441 | ENTRY PANEL 750MM |
| 351442 | EXIT PANEL 750MM |
| 351443 | UPPER PANEL 750MM |
| 351444 | PARZIALIZZATORE WP 750MM |
| 361090 | BASEMENT WP4 |
| 391495 | LEFT SIDE HOOD |
| 400823 | BATTERY WP4 |
| 400823/RIV | BATTERY WP4 |
| 441409 | MANOMETRO ASPIRAZIONE (WP) |
| 441410 | MANOMETRO CONDENSAZIONE (WP) |
| 640225 | LIQUID GAS CONTAINER FOR WP4 |
| 870032 | COMPRESSOR WP4 |
| 870159 | EVAPORATOR WP4 |
| 870159/RIV | EVAPORATOR WP4 |



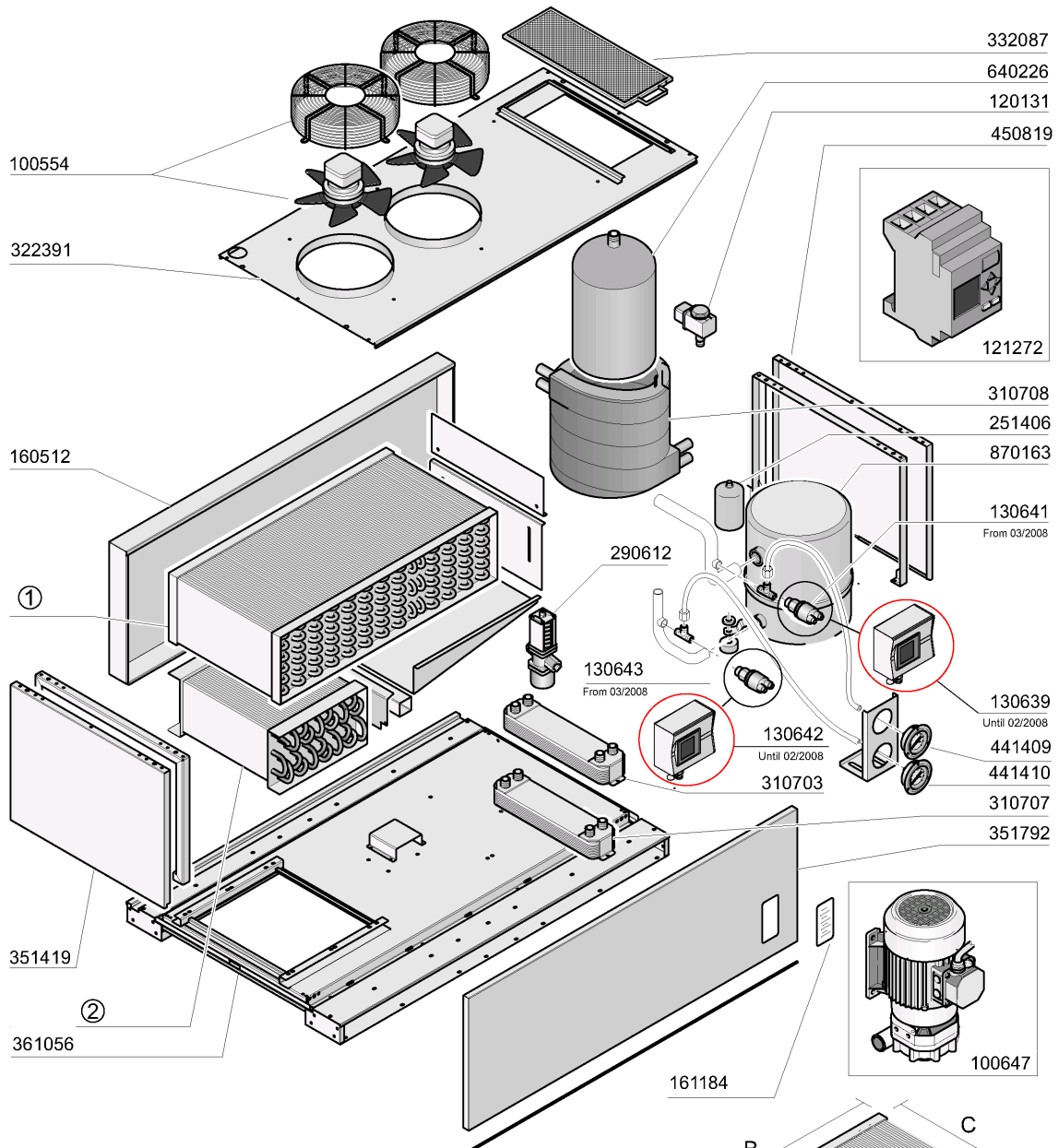
- ① A x B x C = 250 x 800 x 460 = CODE 870164/RIV
- ① A x B x C = 175 x 750 x 450 = CODE 870164
- ② D x E x F = 190 x 460 x 460 = CODE 400824/RIV
- ② D x E x F = 175 x 450 x 450 = CODE 400824







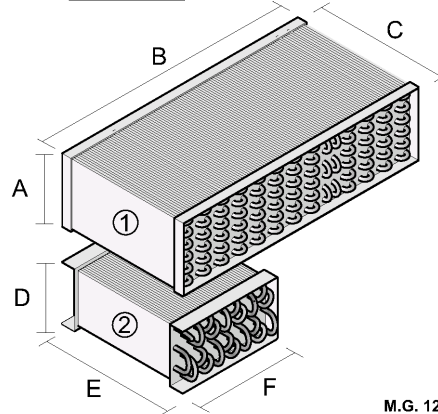
M.G. 12/09

23 - Heat pumps WP6

| CODE | DESCRIPTION |
|------------|--------------------------------|
| 100554 | WP6/WP8 FAN |
| 100647 | PUMP HP 0,20 220/240/3 4226 |
| 120131 | SOLEN. L182Q31-ZB10A 1/2"24V |
| 121272 | PLC |
| 130639 | LOW PRESSURE SWITCH WP |
| 130641 | PRESSOS WP4 LOW PRESS 2.2 BAR |
| 130642 | PRESSURE SWITCH WP4-LOW PRESS. |
| 161184 | MANOMETER INSPECTION GLASS |
| 251406 | FILTER WP6-WP8 |
| 290612 | VALVOLA PRESSOSTATICA(WP6-WP8) |
| 310703 | RINSE WATER CONDENSOR |
| 310707 | CONDENS.GAS/ACQUA BY-PASS (WP) |
| 310708 | CONDENSER (WP) |
| 351441 | ENTRY PANEL 750MM |
| 351442 | EXIT PANEL 750MM |
| 351448 | BACK PANEL 1250MM WP |
| 351449 | 1250MM WP FRONT PANEL |
| 351450 | UPPER PANEL 1250MM |
| 361091 | BASEMENT WP6 |
| 400824 | BATTERY WP6 |
| 400824/RIV | BATTERY WP6 |
| 441409 | MANOMETRO ASPIRAZIONE (WP) |
| 441410 | MANOMETRO CONDENSAZIONE (WP) |
| 640226 | LIQUID GAS CONTAINER FOR WP6-8 |
| 870162 | COMPRESSOR WP6 |
| 870164 | EVAPORATOR WP6 |
| 870164/RIV | EVAPORATOR WP6 |



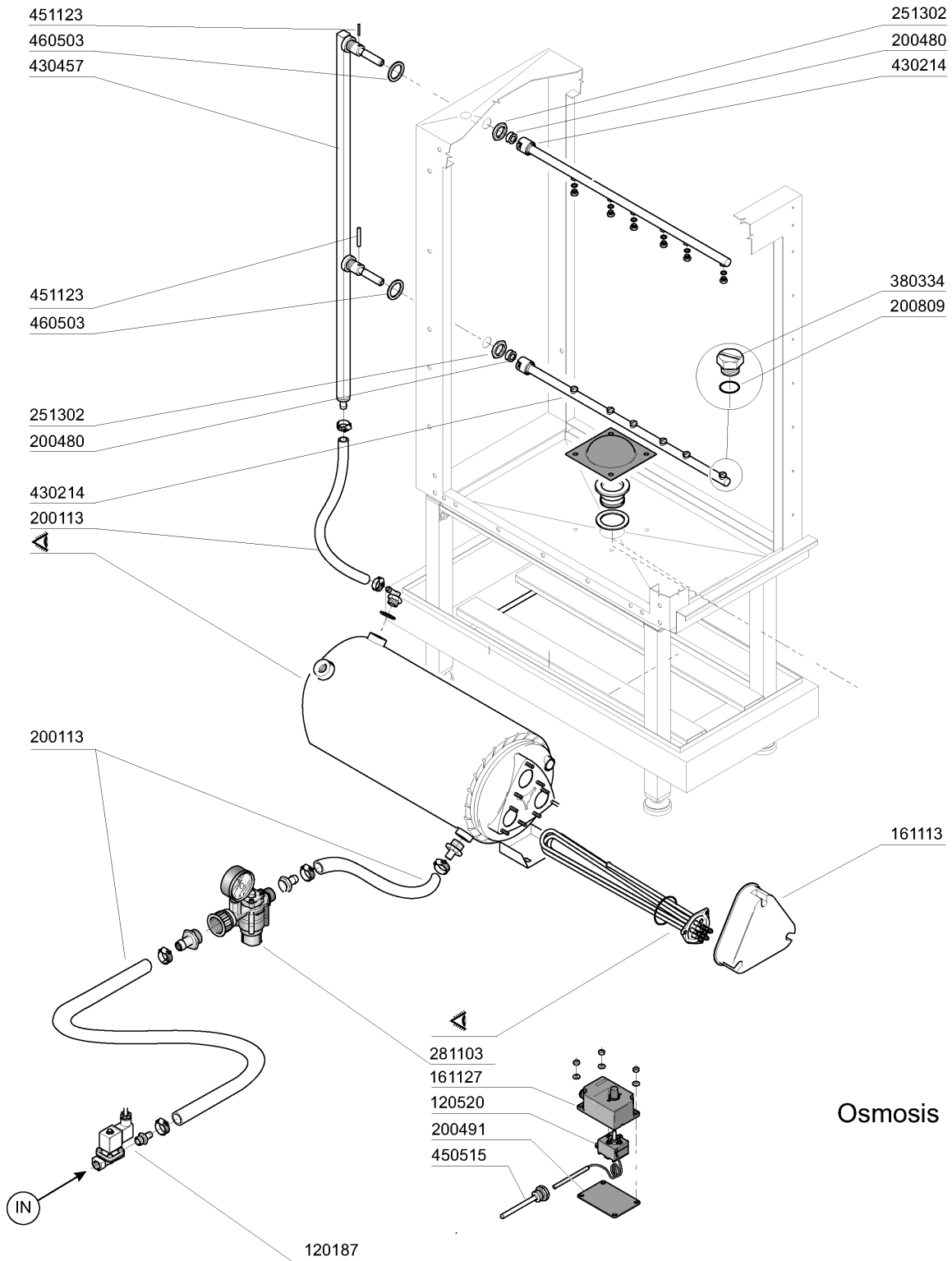
- ①  A x B x C = 250 x 800 x 460 = CODE 870165/RIV
- ①  A x B x C = 175 x 750 x 450 = CODE 870165
- ②  D x E x F = 190 x 460 x 460 = CODE 400825/RIV
- ②  D x E x F = 175 x 450 x 450 = CODE 400825



M.G. 12/09

24 - Heat pumps WP8

| CODE | DESCRIPTION |
|------------|--------------------------------|
| 100554 | WP6/WP8 FAN |
| 100647 | PUMP HP 0,20 220/240/3 4226 |
| 120131 | SOLEN. L182Q31-ZB10A 1/2"24V |
| 121272 | PLC |
| 130639 | LOW PRESSURE SWITCH WP |
| 130641 | PRESSOS WP4 LOW PRESS 2.2 BAR |
| 130642 | PRESSURE SWITCH WP4-LOW PRESS. |
| 130643 | HIGH PRESSURE PRESS.SWITCH WP |
| 160512 | SPACER 35,5 |
| 161184 | MANOMETER INSPECTION GLASS |
| 251406 | FILTER WP6-WP8 |
| 290612 | VALVOLA PRESSOSTATICA(WP6-WP8) |
| 310703 | RINSE WATER CONDENSOR |
| 310707 | CONDENS.GAS/ACQUA BY-PASS (WP) |
| 310708 | CONDENSER (WP) |
| 322391 | PANNELLO SUPERIORE WP 1500MM |
| 332087 | WP4 COVER FILTER |
| 351419 | FRONT PANEL WP |
| 351792 | PANNELLO ANTERIORE WP NE2 |
| 361056 | BASEMENT WP8 |
| 400825 | BATTERIA PRERISCALD.ACQUA(WP8) |
| 400825/RIV | BATTERY WP6 |
| 441409 | MANOMETRO ASPIRAZIONE (WP) |
| 441410 | MANOMETRO CONDENSAZIONE (WP) |
| 450819 | STAINL.ST SCREW M6 |
| 640226 | LIQUID GAS CONTAINER FOR WP6-8 |
| 870163 | COMPRESSORE POMPA WP8 |
| 870165 | EVAPORATOR WP8 |
| 870165/RIV | EVAPORATOR WP8 |



Osmosis

M.G 01/09

| CODE | DESCRIPTION |
|--------|--------------------------------|
| 120187 | SOLENOID VALVE 3/4" 24V |
| 120520 | SECURITY THERMOSTAT 110-130Ø |
| 161113 | ELMENT COVER BLACK |
| 161127 | BOX FOR THERMOSTAT |
| 200113 | RUBBER HOSE 12 X 22 |
| 200480 | GASKET F. RINSE CONNECT. |
| 200491 | BACK GASKET OF THERMOSTAT BOX |
| 200809 | OR GASKET 1,78X8,73X12,29 |
| 251302 | S/S LOCK NUT 3/4" AC-ACR |
| 281103 | ADJ. VALUE |
| 380334 | JET |
| 430214 | RINSE ARM NE02 |
| 430457 | RINSE COLUMN NE02 |
| 450515 | STAINL.ST.SHIELD FOR 1 THERMOS |
| 451123 | ELASTIC PIN 4X16 |
| 460503 | SEALING WASHER 38X27X2(3/4) |